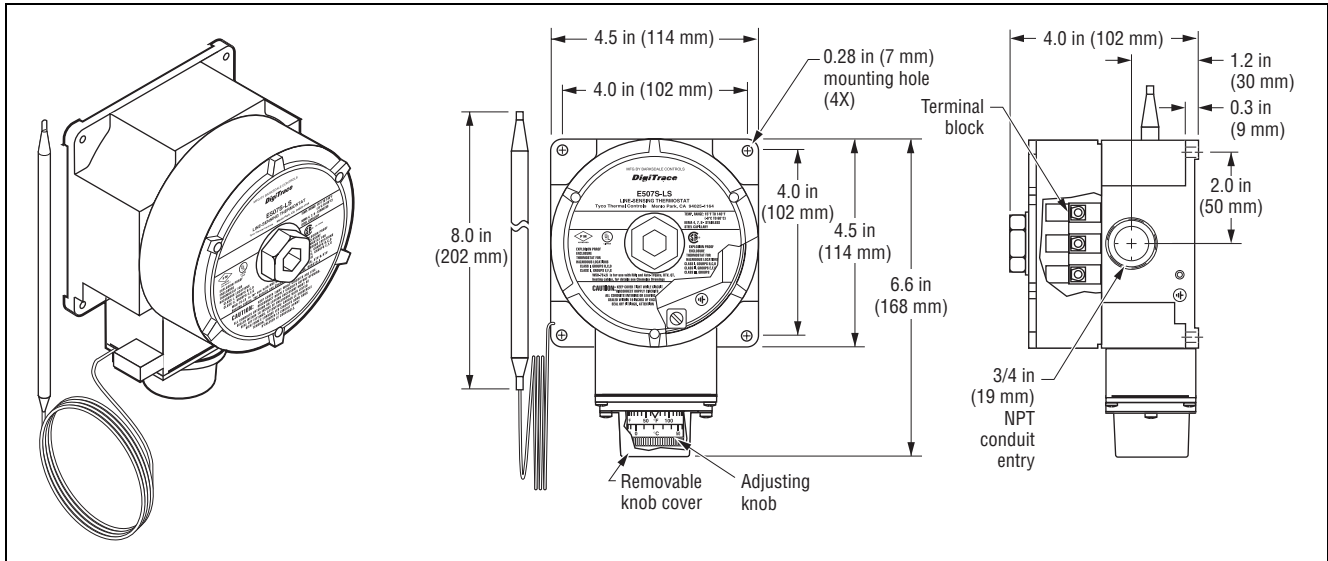


Line-sensing thermostat for hazardous locations

The E507S-LS thermostat is designed for controlling heat-tracing systems in hazardous locations. The E507S-LS senses pipe

or tank wall temperatures and can be used to control a single heat-tracing circuit or as a pilot control of a contactor switching

multiple heat-tracing circuits. It can also be used to indicate low-temperature or high-temperature alarm conditions.



Specifications

| | |
|-------------------------|--|
| Enclosure | NEMA 4, 7, 9, lacquer-coated cast-aluminum housing, stainless steel hardware |
| Entries | One 3/4-in (19 mm) NPT conduit hub |
| Set point range | 25°F to 325°F (-4°C to 163°C) |
| Sensor exposure limits | -40°F to 420°F (-40°C to 215°C) |
| Housing exposure limits | -40°F to 140°F (-40°C to 60°C) |
| Switch | SPDT |
| Electrical rating | 22 A at 125/250/480 Vac |
| Accuracy | ±6°F (±3.3°C) |
| Deadband | 2°F to 12°F (1.1°C to 6.7°C) above actuation temperature |
| Setpoint repeatability | ±3°F (±1.7°C) |
| Sensor type | Fluid-filled (silicone) bulb and 9 ft (2.7 m) capillary |
| Sensor material | 300 series stainless steel |
| Connection terminals | Screw terminals, 10–14 AWG (2–5 mm ²) |

Approvals

Hazardous Locations



Class I, Div. 1 and 2, Groups B, C, D
Class II, Div. 1 and 2, Groups E, F, G
Class III