

TTDM

TraceTek Leak-Detection and Location Module

Easy setup and simple operation

As with all TraceTek modules, no calibration or complicated setup procedure is required. Separate LEDs give clear indication of system status. The TTDM unit monitors up to 5000 feet (1500 m) of TraceTek sensing cables.

When liquid is detected, the TTDM unit sounds an alarm and displays the location of the leak. The unit then continues to monitor and will re-alarm if there are any major changes. Once the alarm condition has been cleared, the module is reset with a single keystroke.

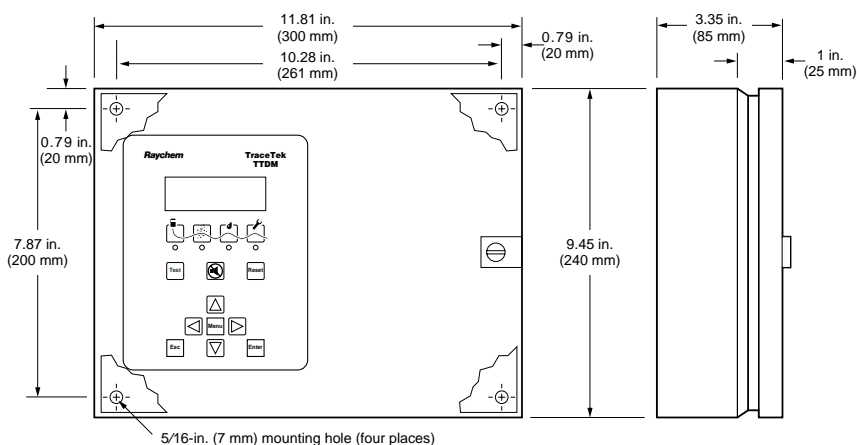
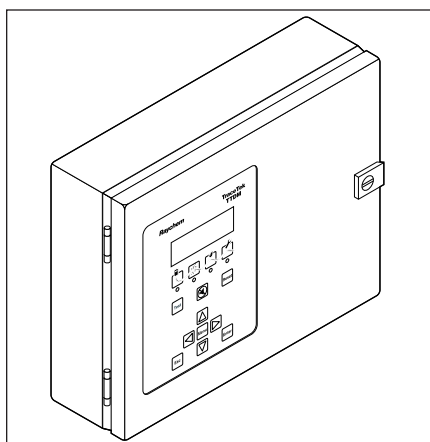
Full featured

- In addition to detecting leaks, the TTDM unit warns of fault conditions and indicates when service is required.
- An events history log allows leaks (and other events) to be tracked.
- The settings can be customized to suit the user's application.
- Both the events history log and any user settings are held in nonvolatile memory.
- The unit has built-in system-wide diagnostic functions.

Versatile design

The TTDM unit incorporates the following features:

- Settings for measuring feet, meters, or zones
- Three different interface types for connection to building management and process control systems:
 - Three alarm status relays
 - 4–20 mA current transmitter
 - RS-232/RS-485 serial port
- Three voltage ranges (115 Vac, 230 Vac, 24 Vac/Vdc)



General usage features

Sensing cable compatibility	All TT1000, TT3000, and TT5000 series sensing cables All TT100, TT300, and TT500 series long-line sensing cables
Maximum length of sensing cable	5000 ft (1500 m)
Maximum number of zones	100
Precision	±0.1% of connected sensing cable length
Units	Feet, meters, zones (selectable)
Language (selectable)	English, French, German, Spanish
Storage	0°F to 140°F (–18°C to 60°C)
Operating	32°F to 122°F (0°C to 50°C)
Humidity	5% to 95% noncondensing

Temperature

Humidity

Audible alarm

Power consumption

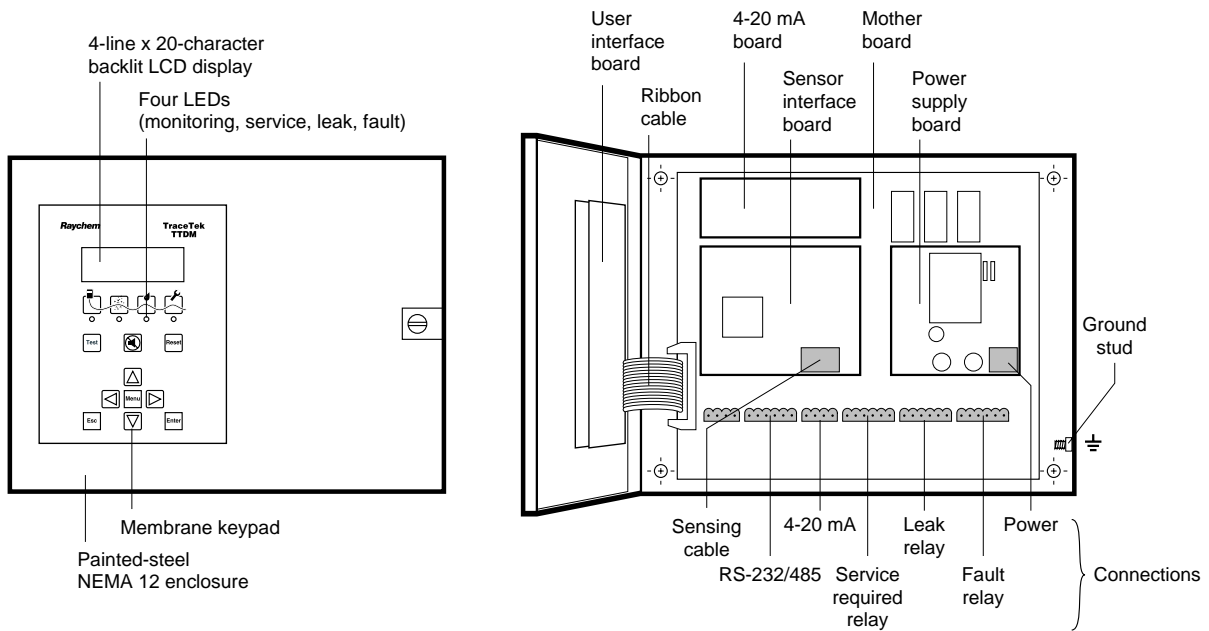
Ordering Information

Supply voltage

Spares

6 VA (5 W) for TTDM-1 and TTDM-2	12VA (10 W) for TTDM-24
Catalog Number	Description
TTDM-24	24 Vac +5%, –35%; 24 Vdc ±20%
TTDM-1	115 V +15%, –20%; 50/60 Hz
TTDM-2	230 V ±10%; 50/60 Hz
TTDM-PS24	24 Vac/dc power supply
TTDM-PS1	115 Vac power supply
TTDM-PS2	230 Vac power supply
TTDM-MB	Motherboard
TTDM-SI	Sensor interface
TTDM-UI	User interface
TTDM-4/20	4–20 mA interface
TTDM-RC1	Ribbon cable

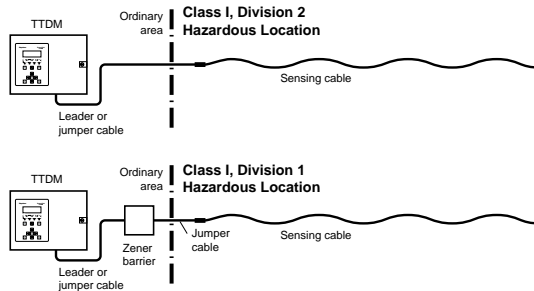
TTDM Leak-Detection and Location Module



Interfaces

Relays	Number: 3 (service required, leak, fault) Type: DPDT Rating: 5 A at 250 Vac/24 Vdc
4-20 mA	Type: 4-wire connection Accuracy: ± 0.02 mA
Serial Port	RS-232 (3- or 5-wire connection) or RS-485 (2-wire connection)

Approvals and Certifications



The TTDM enclosure is NEMA 12, IP54.

TraceTek sensing cable in Class I, Division 2, Groups A, B, C, D Hazardous Locations

If protected by an agency-approved zener barrier, TraceTek sensing cable in Class I, Division 1, Groups A, B, C, D Hazardous Locations (Zone 0 or Zone 1 in Europe). Contact Raychem to select proper zener barrier.

Radio frequency



Immunity	IEC-801-2, 3, 4, 5 compliant
Emissions	FCC, Part 15, Class B EN55011-2 Class B



The TraceTek products group is a part of Raychem Chemelex Division. Chemelex Division is ISO 9001 certified.

Raychem Corporation TraceTek Products Group

300 Constitution Drive
Menlo Park, CA 94025
Tel (800) 553-1737
Fax (415) 361-3215

All information, including illustrations, is believed to be reliable. Users, however, should independently evaluate the suitability of each product for their application. Raychem makes no warranties as to the accuracy or completeness of the information, and disclaims any liability regarding its use. Raychem's only obligations are those in the Raychem Standard Terms and Conditions of Sale for this product, and in no case will Raychem be liable for any incidental, indirect, or consequential damages arising from the sale, resale, use, or misuse of the product. Specifications are subject to change without notice. In addition, Raychem reserves the right to make changes—without notification to Buyer—to materials or processing that do not affect compliance with any applicable specification.