



Visit www.tycothermal.com for more information on our ten-year extended warranty.

Self-regulating heating cables for longline systems

Electrical freeze protection for long pipelines in both nonhazardous and hazardous locations.

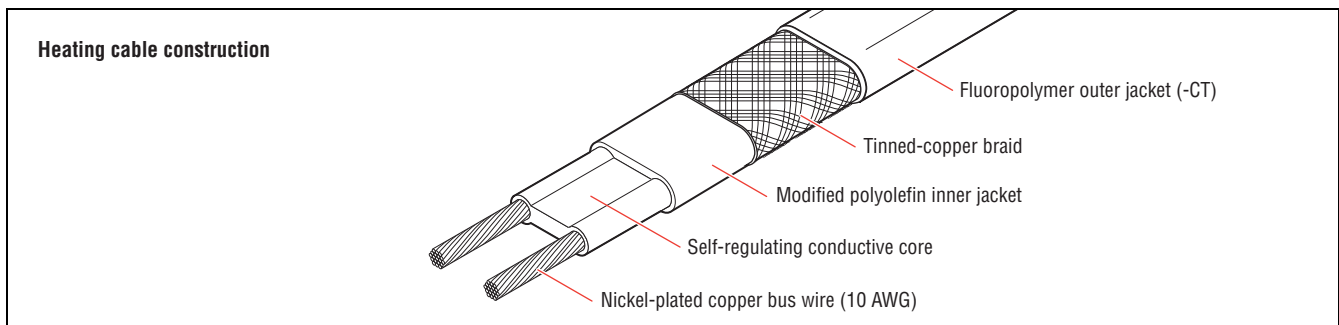
SLBTV self-regulating heating cables provide freeze protection and low-temperature maintenance for longline applications. The SLBTV heating cables maintain process temperatures up to 150°F (65°C) and can withstand intermittent exposure to temperatures up to 185°F (85°C).

The cables are configured for use in non-hazardous and hazardous locations, including areas where corrosives may be present.

SLBTV heating cables provide long circuit length capability. They can be used for continuous circuit lengths up to 2000 feet (610 m) powered from a single source. SLBTV cables are especially well suited for tracing long pipelines containing tempera-

ture-sensitive fluids or where high reliability is required.

Raychem SLBTV cables meet the requirements of the U.S. National Electrical Code and the Canadian Electrical Code. For additional information, contact your Tyco Thermal Controls representative or call Tyco Thermal Controls at (800) 545-6258.



Application

Area classification	Nonhazardous and hazardous locations
Traced surface type	Metal and plastics
Chemical resistance	Organic and aqueous inorganic chemicals and corrosives

Supply Voltage 200 Vac–277 Vac

Temperature Rating

Maximum maintain or continuous exposure temperature (power on)	150°F (65°C)
Maximum intermittent exposure temperature, 1000 hours (power on or off)	185°F (85°C)
Minimum installation temperature	–40°F (–40°C)

Temperature ID Number (T-Rating) T6, 185°F (85°C)
Temperature ID numbers are consistent with North America national electrical codes.

Approvals

Hazardous Locations



Class I, Div. 2, Groups A, B, C, D
Class II, Div. 2, Groups F, G
Class III



Class I, Div. 1 and 2, Groups A, B, C, D
Class II, Div. 1 and 2, Groups E, F, G
Class III

Zone Approvals



CL I, ZN1, AEx e II T6

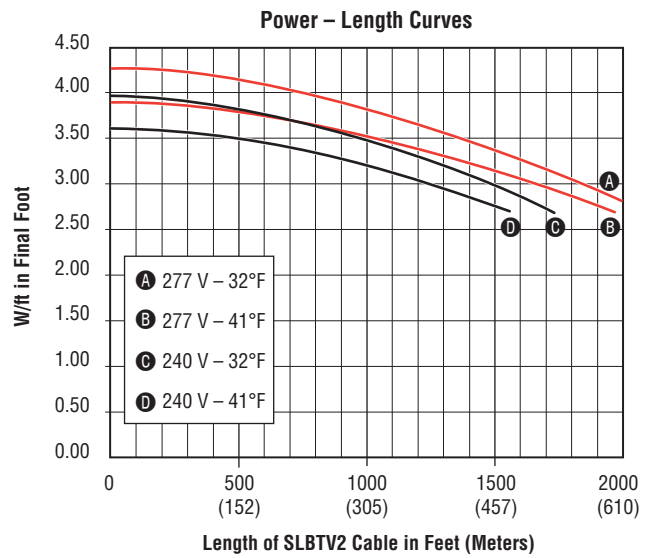
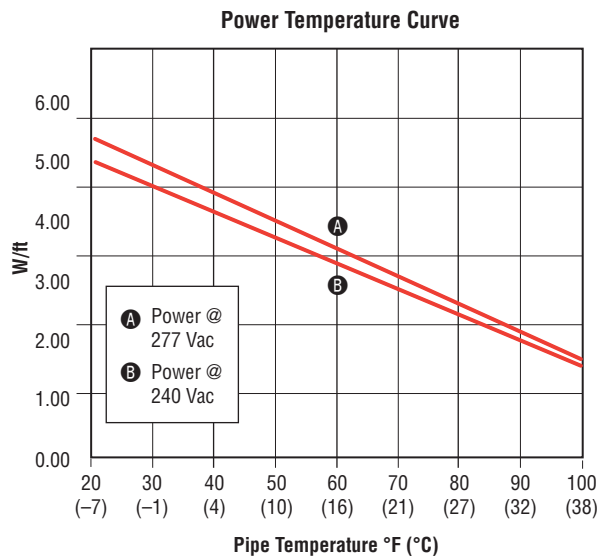


Ex e II T6

Design and Installation

For proper design and installation, use TraceCalc Pro design software or the Design section of the *Industrial Product Selection and Design Guide* (H56550). Literature is available via the Tyco Thermal Controls Web site, www.tycothermal.com.

Nominal Power Output Rating on Metal Pipes



Adjustment Factors

	Power output	Circuit length
208 V	0.86	0.83
277 V	1.11	1.13

Maximum Circuit Length Based on Circuit Breaker Sizes

	Ambient temperature at start-up	Maximum circuit length (in feet) per circuit breaker					
		240 V			277 V		
		40 A	50 A	70 A	40 A	50 A	70 A
SLBTV2-CT	32°F (0°C)	1610	1720	1720	1700	2000	2000
	0°F (-18°C)	1180	1600	1710	1240	1670	2000
	-20°F (-29°C)	1010	1340	1700	1070	1410	2000
	-40°F (-40°C)	880	1160	1630	940	1230	1700
	-60°F (-51°C)	780	1030	1420	840	1100	1500

Ground-Fault Protection

To minimize the danger of fire from sustained electrical arcing if the heating cable is damaged or improperly installed, and to comply with the requirements of Tyco Thermal Controls, agency certifications, and national electrical codes, ground-fault equipment protection must be used on each heating cable branch circuit. Arcing may not be stopped by conventional circuit protection. Many DigiTrace control and monitoring systems meet the ground-fault protection requirement.

Product Characteristics

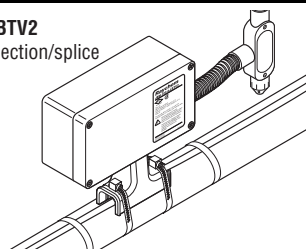
	SLBTV2-CT
Minimum bend radius	@ 68°F (20°C): 0.5 in (12.7 mm)
Weight (lb per 10 ft, nominal)	1.7
Bus wire size	10 AWG
Outer jacket color	Black
Heating cable dimensions	0.71 in x 0.33 in (18 mm x 8.4 mm)

Connection Kits

These connection kits must be used to ensure proper functioning of the product and compliance with warranty, code, and approvals requirements.

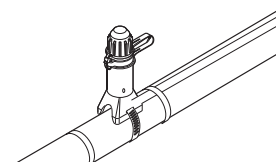
JBM-100-LBTV2

Power connection/splice



E-100-LBTV2

End seal



**Worldwide Headquarters
Tyco Thermal Controls**

7433 Harwin Drive
Houston, TX 77036
USA
Tel: 800-545-6258
Tel: 650-216-1526
Fax: 800-527-5703
Fax: 650-474-7711
info@tycothermal.com
www.tycothermal.com

**Canada
Tyco Thermal Controls**

250 West St.
Trenton, Ontario
Canada K8V 5S2
Tel: 800-545-6258
Fax: 800-527-5703

Europe, Middle East, Africa (EMEA)

Tyco Thermal Controls
Romeinse Straat 14
3001 Leuven
België / Belgique
Tel: +32 16 213 511
Fax: +32 16 213 603

**Latin America
Tyco Thermal Controls**

7433 Harwin Drive
Houston, TX 77036
United States
Tel: 713-868-4800
Tel: 713-735-8645
Fax: 713-868-2333

**Asia Pacific
Tyco Thermal Controls**

20F, Innovation Building,
1009 Yi Shan Rd,
Shanghai 200233,
P.R.China
Tel: +86 21 2412 1688
Fax: +86 21 5426 2937 / 5426 3167

Tyco, Alliance Integrated Systems, AMC, AutoMatrix, AutoSol, BTV, CapaciSense, Chemelex, DHSX, DigiTrace, DigiTrace logo, DigiTrace Supervisor, Duoterm, ElectroMelt, EM2XR, FHSM, FHSC, FlexFit, FlexiClic, Flowguard, FreezeTrace, FreezGard, Frostex, Flostex Plus, Frostguard, FroStop, FSE, Gardian, HAK, Handvise, HBTv, HCCL, HotCap, HQTv, HTPG, HTPi, HWAT, HXTv, IceStop, Interlock, Isocable, Isodrum, Isoheat, Isomantle, Isopad, Isopad Frostguard, Isopad logo, Isopanel, Isotape, Isotherm, JBM, JBS, K-Flex, K-Flex logo, KHE, KHH, KHL, KHP, KTV, Labsafe, LBTv, LHC, LHFV, LHRV, Metabond, Mini WinterGard, Miser WinterGard, MoniTrace, Multi-plus, NGC, PetroTrace, PLI, PolyMatrix, Pyro CiC, PyroFLX, Pyromaster, Pyropak, Pyrosil, PyroSizer, Pyrotenax, Pyrotenax Designer, Pyrotenax logo, QTVR, QuickNet, QuickNet logo, QuickStat, QuickTerm, RayClic, RaySol, RayStat, Retro WinterGard, RHS, RHSC, RHSM, RMM2, SBF, SBV, SC, SHC, Sheathmaster, ShowerGuard, ShrinkCap, ShrinkSeal, ShrinkSystems, ShrinkTool, ShrinkTube, SLBTv, SnoCalc, SnoCalc logo, STS, System 500, System 1850, System 1850-SE, System 2000, System 2200, T2, T2 logo, T2Blue, T2QuickNet, T2Red, T2Reflecta, TankCalc Plus, TempBus, Thermoheat, ThermoLimit, ThermoLine, Touch, Trac-Loc, TraceCalc, TraceCalc Net, TraceCalc Net logo, TraceCalc Pro logo, TraceGard 277, TraceMaster, Tracer, Tracer logo, TracerLynx, TracerLynx logo, TraceStat, TraceTek, TraceTek logo, TruckPak, VLBTv, VLKTV, VPL, We manage the heat you need, WinterGard, WinterGard logo, WinterGard Plus, WinterGard Wet, XL-Trace, XTV and Zero EMI are registered and/or unregistered trademarks of Tyco Thermal Controls LLC or its affiliates.

All other trademarks are the property of their respective owners.

tyco
Thermal Controls

Important: All information, including illustrations, is believed to be reliable. Users, however, should independently evaluate the suitability of each product for their particular application. Tyco Thermal Controls makes no warranties as to the accuracy or completeness of the information, and disclaims any liability regarding its use. Tyco Thermal Controls' only obligations are those in the Tyco Thermal Controls Standard Terms and Conditions of Sale for this product, and in no case will Tyco Thermal Controls or its distributors be liable for any incidental, indirect, or consequential damages arising from the sale, resale, use, or misuse of the product. Specifications are subject to change without notice. In addition, Tyco Thermal Controls reserves the right to make changes—without notification to Buyer—to processing or materials that do not affect compliance with any applicable specification.