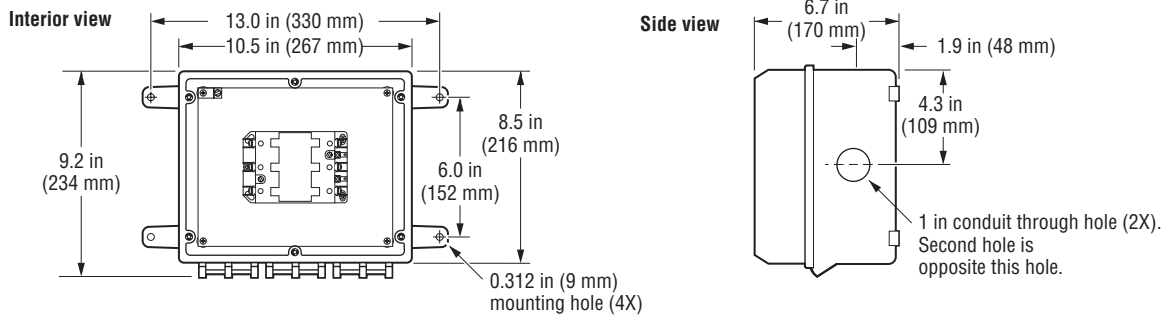


E104



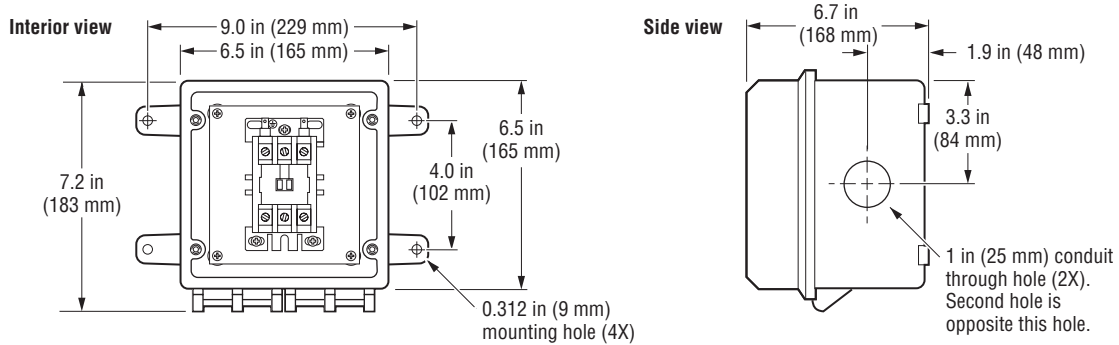
Description

Three-pole, 100 amp per pole, 600 Vac maximum contactor housed in a NEMA 4X enclosure with two 1-inch conduit entries. When ordering, select coil voltage (110–120, 208–240, 277, 480, or 600 Vac).

Specifications

Enclosure	NEMA 4X thermoplastic; UL Listed, CSA Certified	
Power connection	Screw terminals, 14–4 AWG (2 to 20 mm ²)	
Contact rating	100 A per pole, 600 Vac maximum, UL Recognized, CSA Certified	
Order with appropriate coil:	Coil rating	Catalog number
	110–120 Vac	E104-100-120
	208–240 Vac	E104-100-208/240
	277 Vac	E104-100-277
	480 Vac	E104-100-480
	600 Vac	E104-100-600

E304

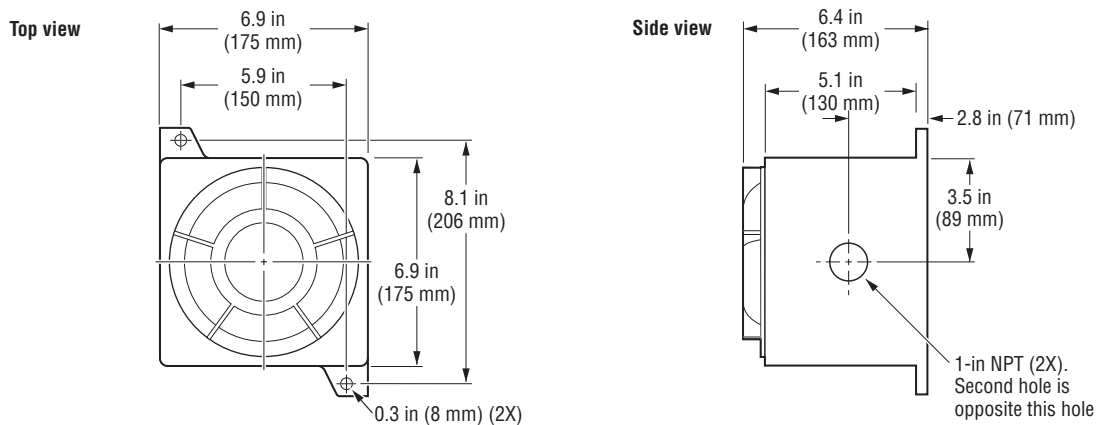


Description

Three-pole, 40 Amp per pole, 600 Vac maximum contactor housed in a NEMA 4X enclosure with two 1-inch conduit entries. When ordering, select coil voltage (110–120, 208–240, 277, 480, or 600 Vac).

E304 (Continued)**Specifications**

Enclosure	NEMA 4X thermoplastic; UL Listed, CSA Certified	
Power connection	Screw terminals, 14–4 AWG (2 to 20 mm ²)	
Contact rating	40 A per pole, 600 Vac maximum, UL Listed, CSA Certified	
Order with appropriate coil:	Coil rating	Catalog number
	110–120 Vac	E304-40-120
	208–240 Vac	E304-40-208/240
	277 Vac	E304-40-277
	480 Vac	E304-40-480
	600 Vac	E304-40-600

Approvals**E307****Description**

Three-pole, 40 amp per pole, 600 Vac maximum contactor housed in NEMA 4, 7, 9 aluminum enclosure with two 1-inch NPT entries. The enclosure is approved for use in Class I, Groups B, C, D; Class II, Groups E, F, G; and Class III. When ordering, select coil voltage (110–120, 208–240, 277, 480, or 600 Vac).

Specifications

Enclosure	NEMA 4, 7, 9 cast aluminum, UL Listed, CSA Certified, FM Approved	
Power connection	Pressure lugs for 14–4 AWG (2 to 20 mm ²) wire	
Contact rating	40 A per pole, 600 Vac maximum, UL Recognized, CSA Certified	
Order with appropriate coil:	Coil rating	Catalog number
	110–120 Vac	E307-40-120
	208–240 Vac	E307-40-208/240
	277 Vac	E307-40-277
	480 Vac	E307-40-480
	600 Vac	E307-40-600