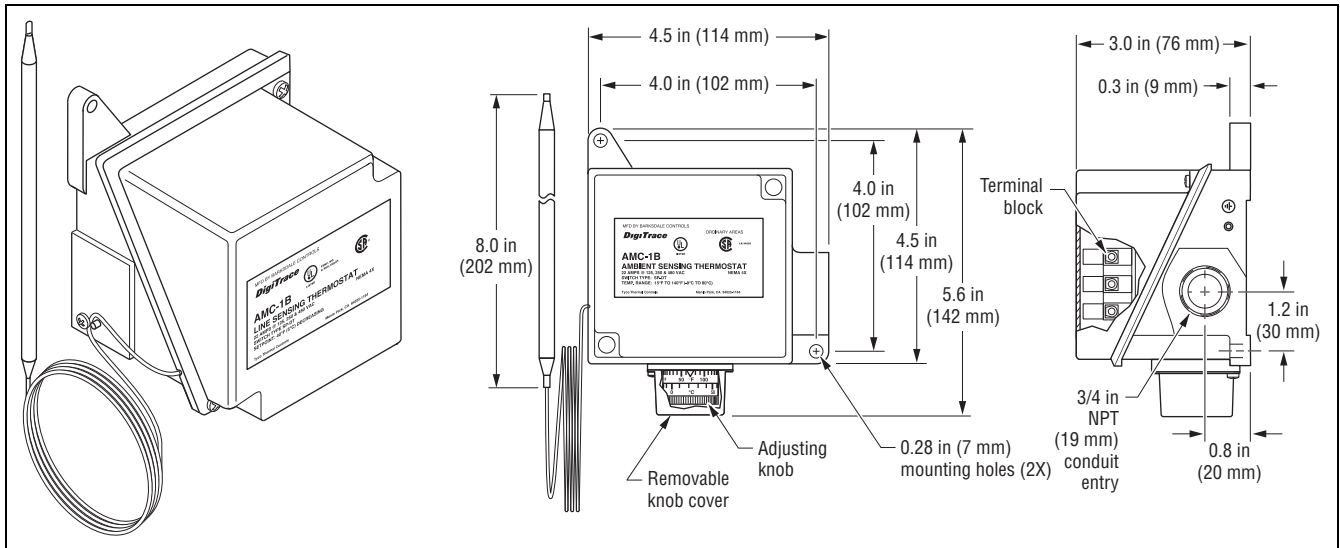


**Line-sensing thermostat
for nonhazardous locations**

The DigiTrace® AMC-1B line-sensing thermostat is designed to control heat-tracing systems in nonhazardous locations. The AMC-1B senses pipe or tank wall

temperatures and can be used to control a single heat-tracing circuit or as a pilot control of a contactor switching multiple heat-tracing circuits. It can also be used to

indicate low-temperature or high-temperature alarm conditions.



Specifications

Enclosure	NEMA 4X, polyurethane-coated cast-aluminum housing, stainless steel hardware
Entries	One 3/4-in NPT conduit hub
Set point range	25°F to 325°F (-4°C to 163°C)
Sensor exposure limits	-40°F to 420°F (-40°C to 215°C)
Housing exposure limits	-40°F to 160°F (-40°C to 71°C)
Switch	SPDT
Electrical rating	22 A at 125/250/480 Vac
Accuracy	±6°F (±3.3°C)
Deadband	2°F to 12°F (1.1°C to 6.7°C) above actuation temperature
Set point repeatability	±3°F (±1.7°C)
Sensor type	Fluid-filled (silicone) bulb and 9 ft (2.7 m) capillary
Sensor material	300 series stainless steel
Connection terminals	Screw terminals, 10–14 AWG (2–5 mm ²)

Approvals



**Worldwide Headquarters
Tyco Thermal Controls**
307 Constitution Drive
Menlo Park, CA 94025-1164
USA
Tel: (800) 545-6258
Tel: (650) 216-1526
Fax: (800) 527-5703
Fax: (650) 474-7711
info@tycothermal.com
www.tycothermal.com

**Canada
Tyco Thermal Controls**
250 West St.
Trenton, Ontario
Canada K8V 5S2
Tel: (800) 545-6258
Fax: (800) 527-5703

**Latin America
Tyco Thermal Controls**
7433 Harwin Drive
Houston, TX 77036
United States
Tel: (713) 868-4800
Tel: (713) 735-8645
Fax: (713) 868-2333

**Europe, Middle East, Africa
Tyco Thermal Controls**
Romeinse Straat 14
3001 Leuven
België / Belgique
Tel: (32) 16/213 511
Fax: (32) 16/213 603

**North Asia
Tyco Thermal Controls**
20F, Innovation Building,
1009 Yi Shan Rd,
Shanghai 200233,
P.R.China
Tel: 86-21-2412-1688
Fax: 86-21-5426-2937 / 5426-3167

Tyco and other trademarks are the property of Tyco Thermal Controls or its affiliates

tyco

Thermal Controls

Important: All information, including illustrations, is believed to be reliable. Users, however, should independently evaluate the suitability of each product for their particular application. Tyco Thermal Controls makes no warranties as to the accuracy or completeness of the information, and disclaims any liability regarding its use. Tyco Thermal Controls' only obligations are those in the Tyco Thermal Controls Standard Terms and Conditions of Sale for this product, and in no case will Tyco Thermal Controls or its distributors be liable for any incidental, indirect, or consequential damages arising from the sale, resale, use, or misuse of the product. Specifications are subject to change without notice. In addition, Tyco Thermal Controls reserves the right to make changes—without notification to Buyer—to processing or materials that do not affect compliance with any applicable specification.