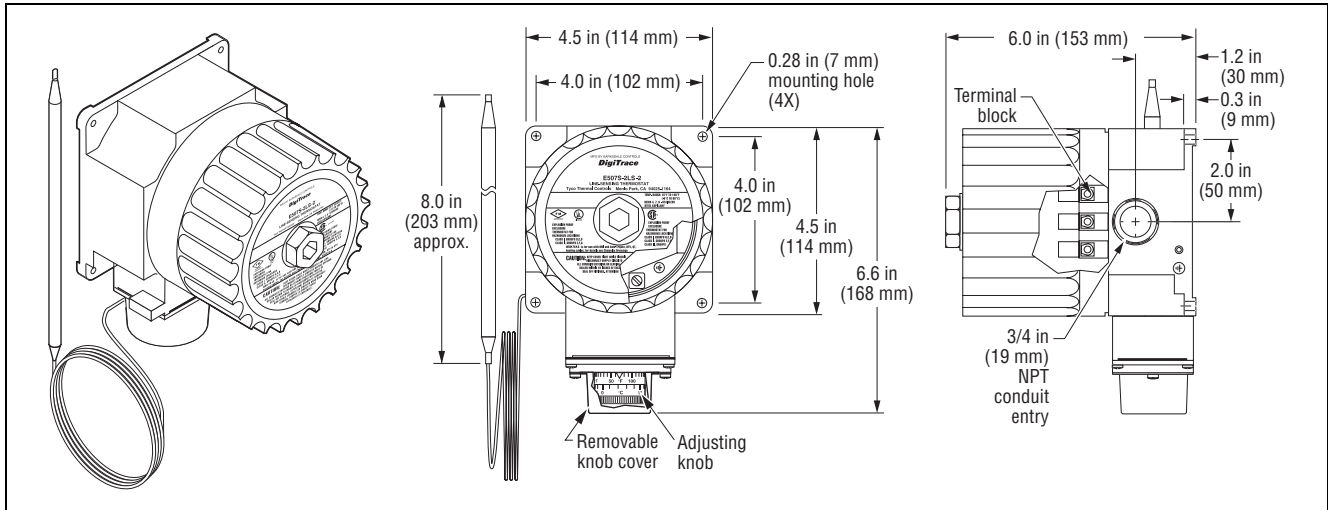


**Double-pole line-sensing thermostat
for hazardous locations**

The E507S-2LS-2 thermostat is designed to control heat-tracing systems in hazardous locations. The thermostat functions as a

double-pole single-throw (DPST) switch, opening and closing the electrical connection to both heating cable bus wires.

The E507S-2LS-2 senses pipe or tank wall temperatures and is used to control one heat-tracing circuit directly.



Specifications

Enclosure	NEMA 4, 7, 9, lacquer-coated cast-aluminum housing, stainless steel hardware
Entries	One 3/4-in NPT conduit hub
Set point range	25°F to 325°F (-4°C to 163°C)
Sensor exposure limits	-40°F to 420°F (-40°C to 215°C)
Housing exposure limits	-40°F to 140°F (-40°C to 60°C)
Switch	DPST
Electrical rating	22 A at 208/240 Vac
Relay coil	208-240 Vac, 4 VA
Accuracy	±6°F (±3.3°C)
Deadband	2°F to 12°F (1.1°C to 6.7°C) above actuation temperature
Set point repeatability	±3°F (±1.7°C)
Sensor type	Fluid-filled (silicone) bulb and 9 ft (2.7 m) capillary
Sensor material	300 series stainless steel
Connection terminals	Screw terminals, 10-14 AWG (2-5 mm ²)

Approvals

Hazardous Locations



Class I, Div. 1 and 2, Groups B, C, D
Class II, Div. 1 and 2, Groups E, F, G
Class III