



# H931 Plug-in GFCI Adapter

**GFCI (ground-fault circuit interrupter) adapter for use with 120 V Raychem® Gardian™ preassembled heating cables**

Made for Tyco Thermal Controls by Leviton, the Raychem H931 GFCI adapter converts an existing unprotected duplex receptacle to a GFCI-protected receptacle.

The national electrical codes require the use of ground-fault protection with all heating cable applications. The H931 adapter, when used with 120 V Gardian preassembled heating cables, allows you to comply with the code quickly and cost-effectively.

### Pipe Freeze Protection

Use with 120 V Gardian preassembled heating cables to freeze protect metal and plastic pipes up to 2 inches in diameter.

### Roof & Gutter De-icing

Use with 120 V Gardian preassembled heating cables to help prevent ice dams and icicles on small roof applications such as porches and overhangs.

- Quick and easy installation
- No wiring required
- Rated 15 A, 120 V
- UL Listed by Leviton

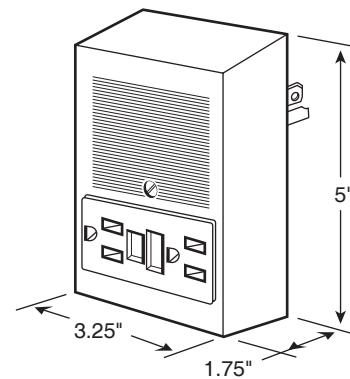


# H931 Plug-in GFCI Adapter

## Description

The H931 kit is a plug-in GFCI (ground-fault circuit interrupter) adapter for use with Gardian 120 V plug-in preassembled heating cables. This unit enables you to convert one existing 15 A, 120 V, unprotected receptacle to a GFCI-protected one.

Use with Gardian 120 V preassembled heating cables for pipe freeze protection or roof & gutter de-icing applications.



## Technical Specifications

The 15-amp rated GFCI will trip whenever the fault current to ground is more than 5mA. In addition, the GFCI will minimize the risk of fire from sustained electrical arcing if the heating cable is improperly installed or is damaged during use.

The fault currents this arcing produces may be too small to be stopped by conventional circuit breakers. The GFCI in the H931 kit, however, will sense these fault currents and shut off the power.

**Note:** The H931 requires a properly installed electrical ground.

## Gardian Product Data

Catalog Number	W51-6P	-12P	-18P	-24P	-50P	-75P	-100P
Service voltage	120	120	120	120	120	120	120
Length (ft)	6	12	18	24	50	75	100
Circuit breaker rating (A)	15	15	15	15	15	15	15
Thermal output at 40°F (W/ft)	6	6	6	6	6	6	6
Minimum installation temperature (°F)	0	0	0	0	0	0	0
Maximum exposure temperature (°F)	150	150	150	150	150	150	150
Approvals	UL Listed 60J9 Residential & Mobile Home Pipe Heating Cable, 718K Pipe Heating Cable and 8772 De-Icing & Snow Melting Equipment, CSA File LR21133						
Environment	Use only in ordinary (nonhazardous) areas. Do not expose to chemicals.						

For complete design and installation information, consult the *Application and Design Guide* (H53585) or call Tyco Thermal Controls at (800) 545-6258.

Tyco and Gardian are trademarks of Tyco Thermal Controls LLC or its affiliates.

**Worldwide Headquarters**  
**Tyco Thermal Controls**  
 307 Constitution Drive  
 Menlo Park, CA 94025-1164  
 USA  
 Tel (800) 545-6258  
 Tel (650) 216-1526  
 Fax (800) 527-5703  
 Fax (650) 474-7711  
 info@tycothermal.com  
 www.tycothermal.com

**Canada**  
**Tyco Thermal Controls**  
 250 West St.  
 Trenton, Ontario  
 Canada K8V 5S2  
 Tel (800) 545-6258  
 Fax (800) 596-5004

**Important:** All information, including illustrations, is believed to be reliable. Users, however, should independently evaluate the suitability of each product for their particular application. Tyco Thermal Controls makes no warranties as to the accuracy or completeness of the information, and disclaims any liability regarding its use. Tyco Thermal Controls' only obligations are those in the Tyco Thermal Controls Standard Terms and Conditions of Sale for this product, and in no case will Tyco Thermal Controls or its distributors be liable for any incidental, indirect, or consequential damages arising from the sale, resale, use, or misuse of the product. Specifications are subject to change without notice. In addition, Tyco Thermal Controls reserves the right to make changes—without notification to Buyer—to processing or materials that do not affect compliance with any applicable specification.