

**Heat-tracing power distribution panel for group control**

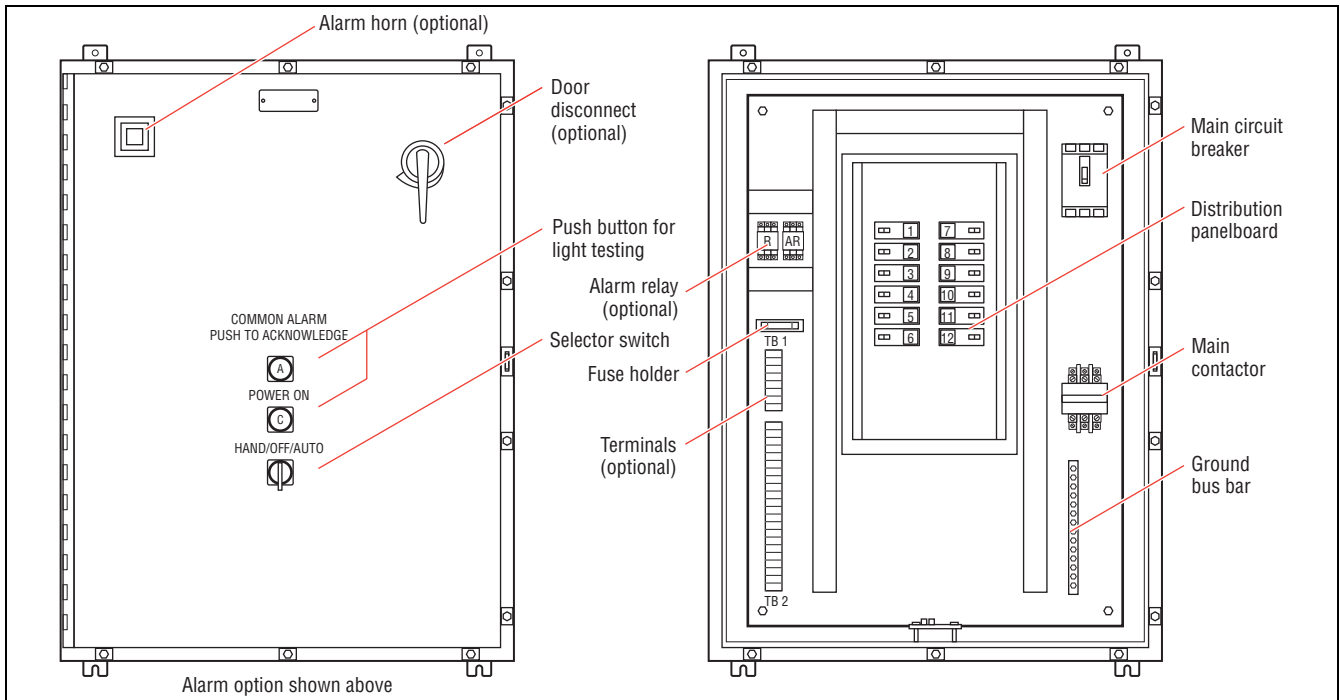
**Ground-fault protection, monitoring, and optional alarm panel**

The DigiTrace® HTPG is a dedicated power distribution, control, ground-fault protection, monitoring, and alarm panel for freeze protection and broad temperature maintenance heat-tracing applications. This wall-

mounted enclosure contains an assembled circuit-breaker panelboard.

Panels are equipped with circuit breakers with or without alarm contacts.

The group control package allows the system to operate automatically in conjunction with an external controller/thermostat.



<b>Load Power</b>	120/208/240/277 Vac
<b>Ambient Operating Temperature</b>	32°F (0°C) to 122°F (50°C) (without space heater option)
<b>Field Wire Size</b>	14–8 AWG (15–30 A), 8–4 AWG (40–50 A)
<b>Circuit Breaker Types</b>	To comply with NEC Article 427-55(a), circuit breakers are equipped with the means for lockout in the “Off” position.
Ground-fault breaker	Square D types QOB-EPD, EDB-EPD
<b>Circuit Breaker Amperage Rating</b>	
120 Vac	20 A, 30 A, 40 A, 50 A
208/240/277 Vac	20 A, 30 A, 40 A, 50 A
<b>Main Contactor</b>	3 pole

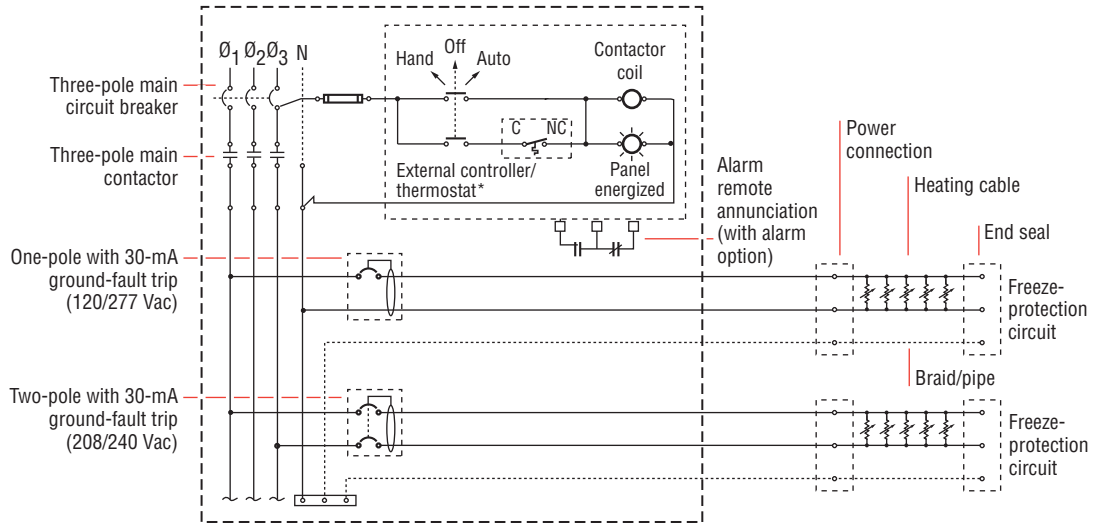
**Approvals**



**Ground-Fault Protection**

To minimize the danger of fire from sustained electrical arcing if the heating cable is damaged or improperly installed, and to comply with the requirements of Tyco Thermal Controls, agency certifications, and national electrical codes, ground-fault equipment protection must be used on each heating cable branch circuit. Arcing may not be stopped by conventional circuit protection.

**HTPG Typical Freeze-Protection Application Schematic**



**HTPG Catalog Number**

HTPG comes in a variety of configurations. The following chart outlines the elements that constitute a configuration and the corresponding catalog number.

**HTPG - Voltage - Panelboard - C.B. type - # of C.B./# of poles (rating) - Enclosure - MCB - Options**  
**HTPG - 277/480 - 30 - 2 - 14/1P (30) - 4X - 200 - H**

**Voltage**

120/208	120/240*	277/480
---------	----------	---------

**Panelboard size**

12 = 12 space panelboard (except 277 V)	18 = 18 space panelboard (277 V only)	20 = 20 space panelboard (120/240 V only)	24 = 24 space panelboard (120/208 V only)	30 = 30 space panelboard	42 = 42 space panelboard	54 = 54 space panelboard (277 V only)
---	---------------------------------------	---	---	--------------------------	--------------------------	---------------------------------------

**Circuit breaker type**

2 = GFCB (30-mA trip) without alarm	3 = GFCB (30-mA trip) with bell alarm	4 = GFCB (30-mA trip) with relay alarm (includes terminal block option). Not available for 277 V
-------------------------------------	---------------------------------------	--

**Number of circuit breakers/number of poles (circuit breaker rating) see prior page**

*# of breakers (no bell alarm option)*

	120 V (1P)	208 V (2P)	240 V (2P)	277 V (1P)
12	(1-12)	(1-6)	(1-6)	-
18	-	-	-	(1-8)
20	(1-20)	-	(1-10)	-
24	(1-24)	(1-12)	-	-
30	(1-30)	(1-14)	(1-14)	(1-14)
42	(1-42)	(1-20)	(1-20)	(1-20)
54	-	-	-	(1-26)

*# of breakers (bell alarm option)*

	120 V (1P)	208 V (2P)	240 V (2P)	277 V (1P)
12	(1-6)	(1-4)	(1-4)	-
18	-	-	-	(1-8)
20	(1-10)	-	(1-6)	-
24	(1-12)	(1-8)	-	-
30	(1-14)	(1-10)	(1-10)	(1-14)
42	(1-20)	(1-14)	(1-14)	(1-20)
54	-	-	-	(1-26)

**Option**

- 0 = None
  - A = Alarm horn (requires C.B. type 3 or 4)
  - B = Alarm beacon (requires C.B. type 3 or 4)
  - C = Heat-trace contactor failure light
  - D = Door disconnect
  - E = Environmental purge (NEMA 4 or 4X enclosures only)
  - G = Panel power-on light
  - H = Space heater and thermostat
  - L = Individual circuit breaker trip indication lights (requires C.B. type 4)
  - P = Heat-trace energized light
  - T = Terminal blocks (prewired)
  - W = Wired for ETI controller
  - Z = Z-purge system (NEMA 4 or 4X enclosures only)
- SP = Special requirement: Must contain complete description of variance**

**MCB**

**Main circuit breaker and contactor**

Panelboard size	120/208	120/240	277/480
12	50, 100	50, 60, 80, 100	-
18	-	-	30, 50, 70, 125
20	-	50, 60, 80, 100	-
24	50, 100	-	-
30	50, 100, 150, 200, 225	50, 60, 80, 150, 175, 200, 225	50, 70, 125, 175, 225
42	50, 100, 150, 200, 225	50, 60, 80, 150, 175, 200, 225	50, 70, 125, 175, 225
54	-	-	50, 70, 125, 175, 225

**Enclosure**

- 12 = NEMA 12 (indoors)
- 4 = NEMA 4 (outdoors)
- 4X = NEMA 4X (stainless steel-outdoors)

\* Single phase

---

**Worldwide Headquarters  
Tyco Thermal Controls**  
307 Constitution Drive  
Menlo Park, CA 94025-1164  
USA  
Tel: (800) 545-6258  
Tel: (650) 216-1526  
Fax: (800) 527-5703  
Fax: (650) 474-7711  
info@tycothermal.com  
[www.tycothermal.com](http://www.tycothermal.com)

**Canada  
Tyco Thermal Controls**  
250 West St.  
Trenton, Ontario  
Canada K8V 5S2  
Tel: (800) 545-6258  
Fax: (800) 527-5703

**Latin America  
Tyco Thermal Controls**  
7433 Harwin Drive  
Houston, TX 77036  
United States  
Tel: (713) 868-4800  
Tel: (713) 735-8645  
Fax: (713) 868-2333

**Europe, Middle East, Africa  
Tyco Thermal Controls**  
Romeinse Straat 14  
3001 Leuven  
België / Belgique  
Tel: (32) 16/213 511  
Fax: (32) 16/213 603

**North Asia  
Tyco Thermal Controls**  
20F, Innovation Building,  
1009 Yi Shan Rd,  
Shanghai 200233,  
P.R.China  
Tel: 86-21-2412-1688  
Fax: 86-21-5426-2937 / 5426-3167

Tyco and other trademarks are the property of Tyco Thermal Controls or its affiliates

---

**tyco**  
**Thermal Controls**

**Important:** All information, including illustrations, is believed to be reliable. Users, however, should independently evaluate the suitability of each product for their particular application. Tyco Thermal Controls makes no warranties as to the accuracy or completeness of the information, and disclaims any liability regarding its use. Tyco Thermal Controls' only obligations are those in the Tyco Thermal Controls Standard Terms and Conditions of Sale for this product, and in no case will Tyco Thermal Controls or its distributors be liable for any incidental, indirect, or consequential damages arising from the sale, resale, use, or misuse of the product. Specifications are subject to change without notice. In addition, Tyco Thermal Controls reserves the right to make changes—without notification to Buyer—to processing or materials that do not affect compliance with any applicable specification.