



Visit www.tycothermal.com for more information on our ten-year extended warranty.

Connection kit and junction box for CID1 hazardous locations

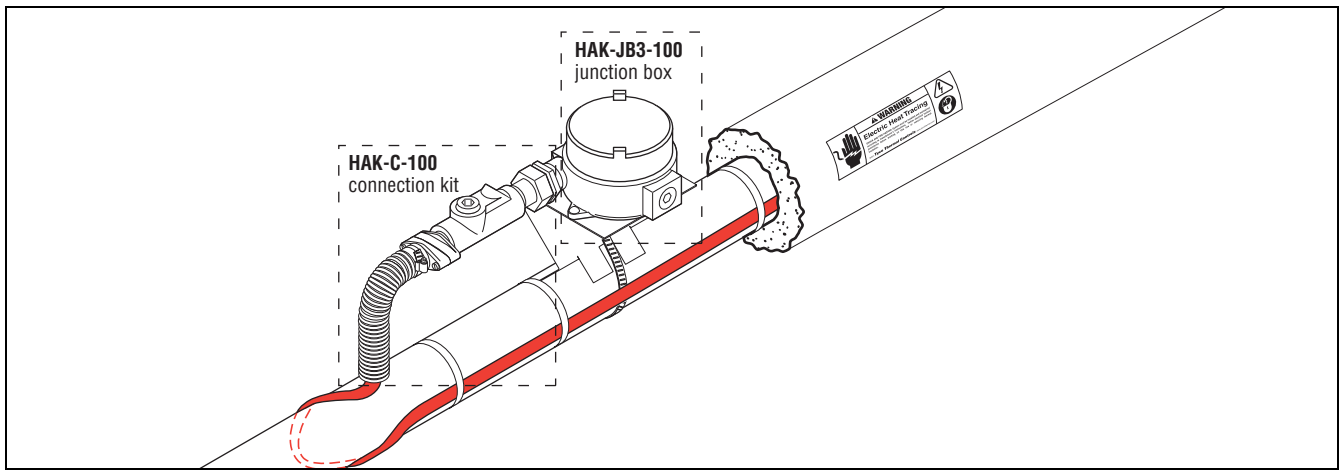
The HAK-C-100 connection system is FM approved for use with Raychem brand HBTV, HQTV, HXTV, and FHP heating cables in Class I, Division 1 hazardous locations. It is also CSA certified for use with Raychem brand BTV-CT, QTVR-CT, XTV-CT, VPL-CT, and LBT2V-CT heating cables in Class I, Division 1 locations.

The HAK-C-100 is a cold-applied connection kit that contains all of the materials required for sealing one heating cable entry into a junction box.

The HAK-JB3-100 is an explosion-proof, corrosion-resistant junction box that serves

as a power connection, splice, tee, or end termination.

Each kit contains all the necessary materials for a complete installation except for the pipe straps and a UMB mounting bracket, which must be ordered separately.



Kit Description

	HAK-C-100	HAK-JB3-100
Note: Connection kit, junction box, mounting bracket, and pipe strap sold separately	1 HAK subassembly: sealing fitting, nipple, and plugs 1 union 1 packing fiber 1 sealing compound 1 tubing clamp 1 compression gland with screws 1 compression gland with threaded inserts 5 grommets (B,C,E,K,R) 1 flex tube 1 terminal block (maximum: 6 AWG wire) 2 black heat-shrinkable tubes 1 clear yellow heat-shrinkable tube 1 green/yellow tube 1 CS-100 core sealer	1 coated aluminum housing 3 3/4-in (19 mm) NPT entries 2 plugs 1 grounding bar kit

Approvals

Hazardous Locations



Class I, Div. 1, Groups B, C, D
Class II, Div. 1, Groups E, F, G
Class III

Hazardous Locations

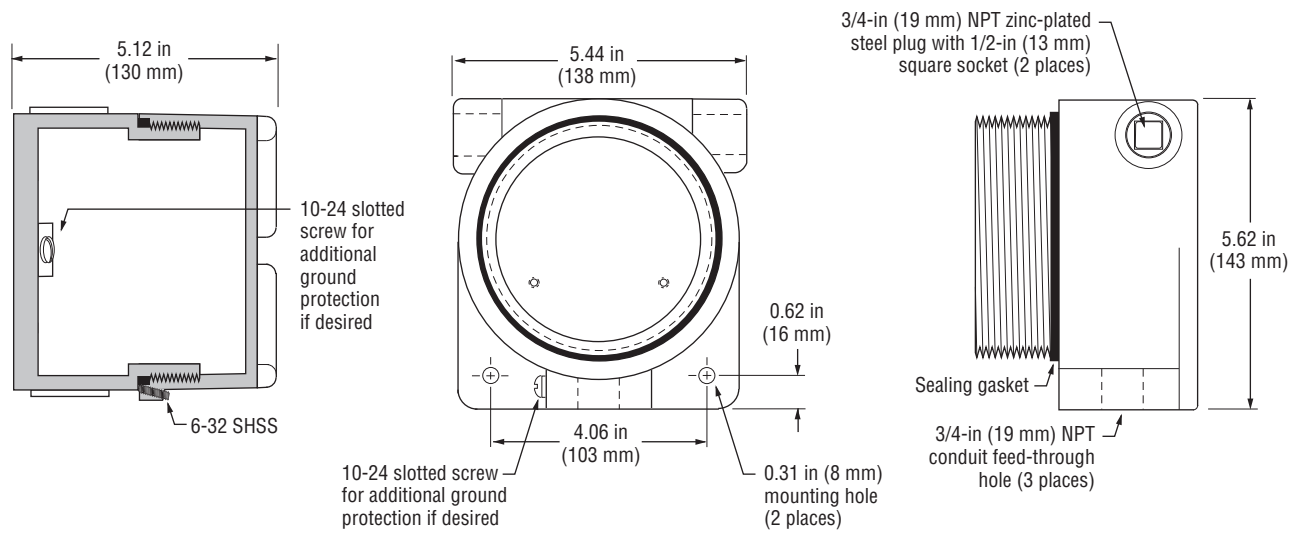


Class I, Div. 1, Groups B, C, D
Class II, Div. 1, Groups E, F, G
Class III

Ordering Details

Catalog number	HAK-C-100	HAK-JB3-100
Part number	014385-000	325925-000
Weight	3.0 lb (1.36 kg)	3.1 lb (1.4 kg)

HAK-JB3-100 Junction Box Dimensions



Materials Required per Connection Type

	Number of HAK-C-100 kits required	Number of holes used on the junction box	Universal mounting bracket (UMB)	Pipe strap
Power	1	2	1	1
Splice	2	2	1	1
Tee	3	3	1	1
End seal	1	1	1	1

Materials of Construction

Junction box Copper-free aluminum with corrosion-resistant polyester powder coating

**Worldwide Headquarters
Tyco Thermal Controls**

7433 Harwin Drive
Houston, TX 77036
USA
Tel: 800-545-6258
Tel: 650-216-1526
Fax: 800-527-5703
Fax: 650-474-7711
info@tycothermal.com
www.tycothermal.com

**Canada
Tyco Thermal Controls**

250 West St.
Trenton, Ontario
Canada K8V 5S2
Tel: 800-545-6258
Fax: 800-527-5703

Europe, Middle East, Africa (EMEA)

Tyco Thermal Controls
Romeinse Straat 14
3001 Leuven
België / Belgique
Tel: +32 16 213 511
Fax: +32 16 213 603

**Latin America
Tyco Thermal Controls**

7433 Harwin Drive
Houston, TX 77036
United States
Tel: 713-868-4800
Tel: 713-735-8645
Fax: 713-868-2333

**Asia Pacific
Tyco Thermal Controls**

20F, Innovation Building,
1009 Yi Shan Rd,
Shanghai 200233,
P.R.China
Tel: +86 21 2412 1688
Fax: +86 21 5426 2937 / 5426 3167

Tyco, Alliance Integrated Systems, AMC, AutoMatrix, AutoSol, BTV, CapaciSense, Chemelex, DHSX, DigiTrace, DigiTrace logo, DigiTrace Supervisor, Duoterm, ElectroMelt, EM2XR, FHSM, FHSC, FlexFit, FlexiClic, Flowguard, FreezeTrace, FreezGard, Frostex, Flostex Plus, Frostguard, FroStop, FSE, Gardian, HAK, Handvise, HBTv, HCCL, HotCap, HQTv, HTPG, HTPi, HWAT, HXTv, IceStop, Interlock, Isocable, Isodrum, Isoheat, Isomantle, Isopad, Isopad Frostguard, Isopad logo, Isopanel, Isotape, Isotherm, JBM, JBS, K-Flex, K-Flex logo, KHE, KHH, KHL, KHP, KTV, Labsafe, LBTv, LHC, LHFV, LHRV, Metabond, Mini WinterGard, Miser WinterGard, MoniTrace, Multi-plus, NGC, PetroTrace, PLI, PolyMatrix, Pyro CiC, PyroFLX, Pyromaster, Pyropak, Pyrosil, PyroSizer, Pyrotenax, Pyrotenax Designer, Pyrotenax logo, QTVR, QuickNet, QuickNet logo, QuickStat, QuickTerm, RayClic, RaySol, RayStat, Retro WinterGard, RHS, RHSC, RHSM, RMM2, SBF, SBV, SC, SHC, Sheathmaster, ShowerGuard, ShrinkCap, ShrinkSeal, ShrinkSystems, ShrinkTool, ShrinkTube, SLBTv, SnoCalc, SnoCalc logo, STS, System 500, System 1850, System 1850-SE, System 2000, System 2200, T2, T2 logo, T2Blue, T2QuickNet, T2Red, T2Reflecta, TankCalc Plus, TempBus, Thermoheat, ThermoLimit, ThermoLine, Touch, Trac-Loc, TraceCalc, TraceCalc Net, TraceCalc Net logo, TraceCalc Pro logo, TraceGard 277, TraceMaster, Tracer, Tracer logo, TracerLynx, TracerLynx logo, TraceStat, TraceTek, TraceTek logo, TruckPak, VLBTv, VLKTV, VPL, We manage the heat you need, WinterGard, WinterGard logo, WinterGard Plus, WinterGard Wet, XL-Trace, XTV and Zero EMI are registered and/or unregistered trademarks of Tyco Thermal Controls LLC or its affiliates.

All other trademarks are the property of their respective owners.

tyco
Thermal Controls

Important: All information, including illustrations, is believed to be reliable. Users, however, should independently evaluate the suitability of each product for their particular application. Tyco Thermal Controls makes no warranties as to the accuracy or completeness of the information, and disclaims any liability regarding its use. Tyco Thermal Controls' only obligations are those in the Tyco Thermal Controls Standard Terms and Conditions of Sale for this product, and in no case will Tyco Thermal Controls or its distributors be liable for any incidental, indirect, or consequential damages arising from the sale, resale, use, or misuse of the product. Specifications are subject to change without notice. In addition, Tyco Thermal Controls reserves the right to make changes—without notification to Buyer—to processing or materials that do not affect compliance with any applicable specification.