

Electronic line-sensing thermostat

The RAYSTAT-EX-03-A electronic line-sensing thermostat provides accurate control for all heating cable types.

The enclosure, electronics, and sensor are approved for use in Division 2 and Zone 1 hazardous locations. The thermostat can be supplied at voltages of 100–277 Vac 50/60 Hz, and has a double-pole switch rated at 16 A. The switch can be configured to provide a

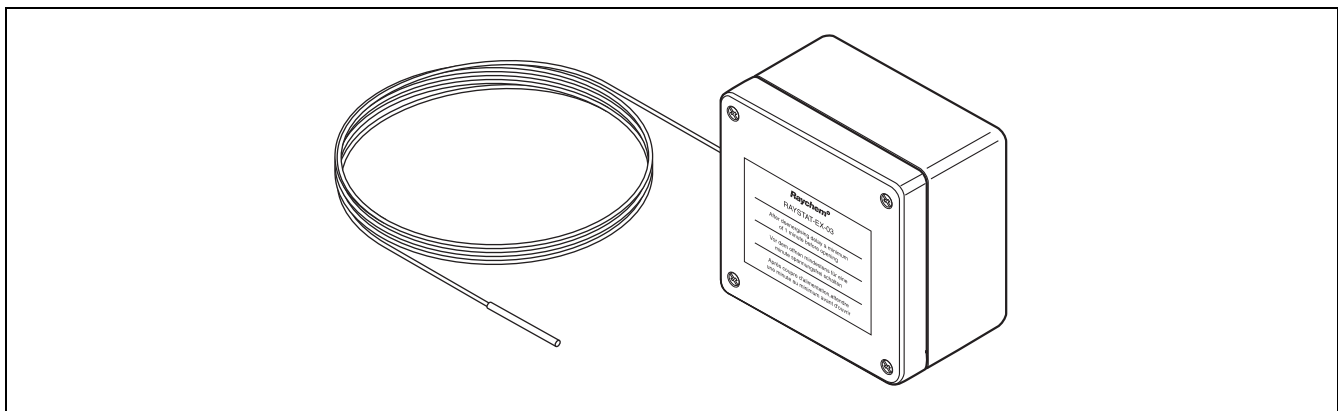
dry contact. Temperature setting is accurate via digital thumb wheel switches inside the enclosure.

The thermostat is supplied with a factory-installed 6 ft (2 m) stainless-steel RTD.

The enclosure is manufactured from high impact-resistant glass-filled polyester offering NEMA 4X, IP66 protection. Two 3/4-inch

(19 mm) entries allow the incoming power and heating cable to be connected to the unit.

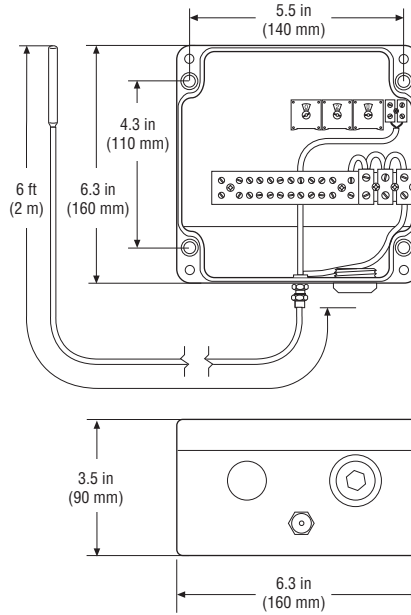
For pipe temperatures up to 482°F (250°C), the units can be mounted directly on the pipe using the JB-SB-25 support bracket.



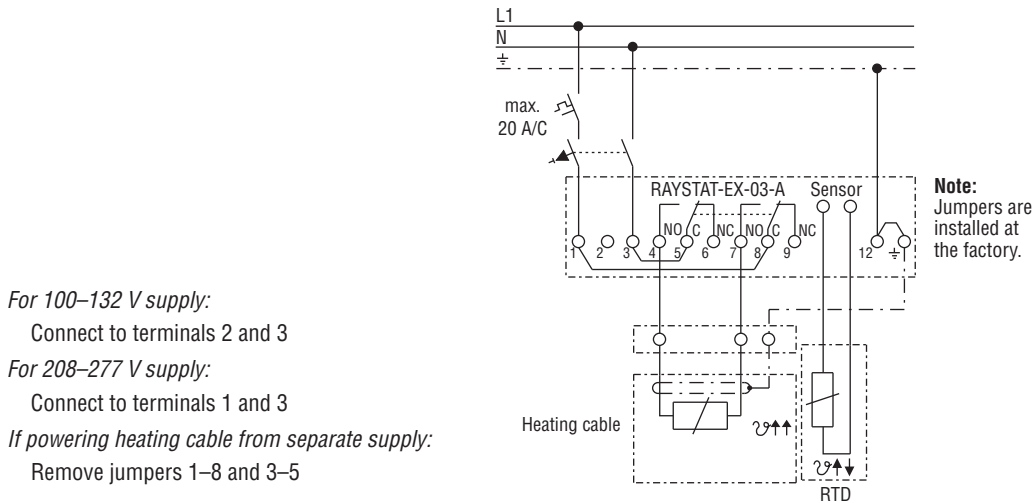
Specifications

Enclosure	<ul style="list-style-type: none"> • NEMA 4X; IP66 • Electrostatic charge-resistant glass-filled engineering polymers, black • Exposed hardware of stainless steel
Entries	Two 3/4-in (19 mm) conduit through holes (one with hole plugged)
Ambient operating range	–40°F to 105°F (–40°C to 40°C)
Set point range	32°F to 930°F (0°C to 499°C)
Switch	DPDT
Switch capacity	16 A (suitable for heating cables on 20 A circuit breakers)
Supply voltage	AC 100–277 V, 50/60 Hz
Accuracy	±1% of set point, minimum 1°C
Deadband	±1% of set point, minimum 1°C
Sensor type	100 Ω platinum RTD
Sensor material	Stainless steel
Sensor length	6 ft (2 m)
Connection terminals	Power supply: 12 AWG (4 mm ²) Heating cable: 12 AWG (4 mm ²) Ground: 10 AWG (6 mm ²)

Dimensions



Typical Wiring Diagram for Direct Switching



Approvals

Hazardous Locations



CL I, Zn 1 AEx emia IIC T6
 CL I, Zn 1 Ex emia IIC T6
 CL I, DIV 2, GPS B, C, D
 CL II, DIV 1 & 2, GPS E, F, G
 CL III

Ordering Details

Part description	RAYSTAT-EX-03-A
Part number	453609
Weight	7.2 lb (3.3 kg)

**Worldwide Headquarters
Tyco Thermal Controls**

7433 Harwin Drive
Houston, TX 77036
USA
Tel: 800-545-6258
Tel: 650-216-1526
Fax: 800-527-5703
Fax: 650-474-7711
info@tycothermal.com
www.tycothermal.com

**Canada
Tyco Thermal Controls**

250 West St.
Trenton, Ontario
Canada K8V 5S2
Tel: 800-545-6258
Fax: 800-527-5703

**Europe, Middle East, Africa (EMEA)
Tyco Thermal Controls**

Romeinse Straat 14
3001 Leuven
België / Belgique
Tel: +32 16 213 511
Fax: +32 16 213 603

**Latin America
Tyco Thermal Controls**

7433 Harwin Drive
Houston, TX 77036
United States
Tel: 713-868-4800
Tel: 713-735-8645
Fax: 713-868-2333

**Asia Pacific
Tyco Thermal Controls**

20F, Innovation Building,
1009 Yi Shan Rd,
Shanghai 200233,
P.R.China
Tel: +86 21 2412 1688
Fax: +86 21 5426 2937 / 5426 3167

Tyco, Alliance Integrated Systems, AMC, AutoMatrix, AutoSol, BTV, CapaciSense, Chemelex, DHSX, DigiTrace, DigiTrace logo, DigiTrace Supervisor, Duoterm, ElectroMelt, EM2XR, FHSM, FHSC, FlexFit, FlexiClic, Flowguard, FreezeTrace, FreezGard, Frostex, Flostex Plus, Frostguard, FroStop, FSE, Gardian, HAK, Handvise, HBTv, HCCL, HotCap, HQTv, HTPG, HTPi, HWAT, HXTv, IceStop, Interlock, Isocable, Isodrum, Isoheat, Isomantle, Isopad, Isopad Frostguard, Isopad logo, Isopanel, Isotape, Isotherm, JBM, JBS, K-Flex, K-Flex logo, KHE, KHH, KHL, KHP, KTV, Labsafe, LBTv, LHC, LHFV, LHRV, Metabond, Mini WinterGard, Miser WinterGard, MoniTrace, Multi-plus, NGC, PetroTrace, PLI, PolyMatrix, Pyro CiC, PyroFLX, Pyromaster, Pyropak, Pyrosil, PyroSizer, Pyrotenax, Pyrotenax Designer, Pyrotenax logo, QTVR, QuickNet, QuickNet logo, QuickStat, QuickTerm, RayClic, RaySol, RayStat, Retro WinterGard, RHS, RHSC, RHSM, RMM2, SBF, SBV, SC, SHC, Sheathmaster, ShowerGuard, ShrinkCap, ShrinkSeal, ShrinkSystems, ShrinkTool, ShrinkTube, SLBTv, SnoCalc, SnoCalc logo, STS, System 500, System 1850, System 1850-SE, System 2000, System 2200, T2, T2 logo, T2Blue, T2QuickNet, T2Red, T2Reflecta, TankCalc Plus, TempBus, Thermoheat, ThermoLimit, ThermoLine, Touch, Trac-Loc, TraceCalc, TraceCalc Net, TraceCalc Net logo, TraceCalc Pro logo, TraceGard 277, TraceMaster, Tracer, Tracer logo, TracerLynx, TracerLynx logo, TraceStat, TraceTek, TraceTek logo, TruckPak, VLBTv, VLKTV, VPL, We manage the heat you need, WinterGard, WinterGard logo, WinterGard Plus, WinterGard Wet, XL-Trace, XTV and Zero EMI are registered and/or unregistered trademarks of Tyco Thermal Controls LLC or its affiliates.

All other trademarks are the property of their respective owners.

tyco
Thermal Controls

Important: All information, including illustrations, is believed to be reliable. Users, however, should independently evaluate the suitability of each product for their particular application. Tyco Thermal Controls makes no warranties as to the accuracy or completeness of the information, and disclaims any liability regarding its use. Tyco Thermal Controls' only obligations are those in the Tyco Thermal Controls Standard Terms and Conditions of Sale for this product, and in no case will Tyco Thermal Controls or its distributors be liable for any incidental, indirect, or consequential damages arising from the sale, resale, use, or misuse of the product. Specifications are subject to change without notice. In addition, Tyco Thermal Controls reserves the right to make changes—without notification to Buyer—to processing or materials that do not affect compliance with any applicable specification.