



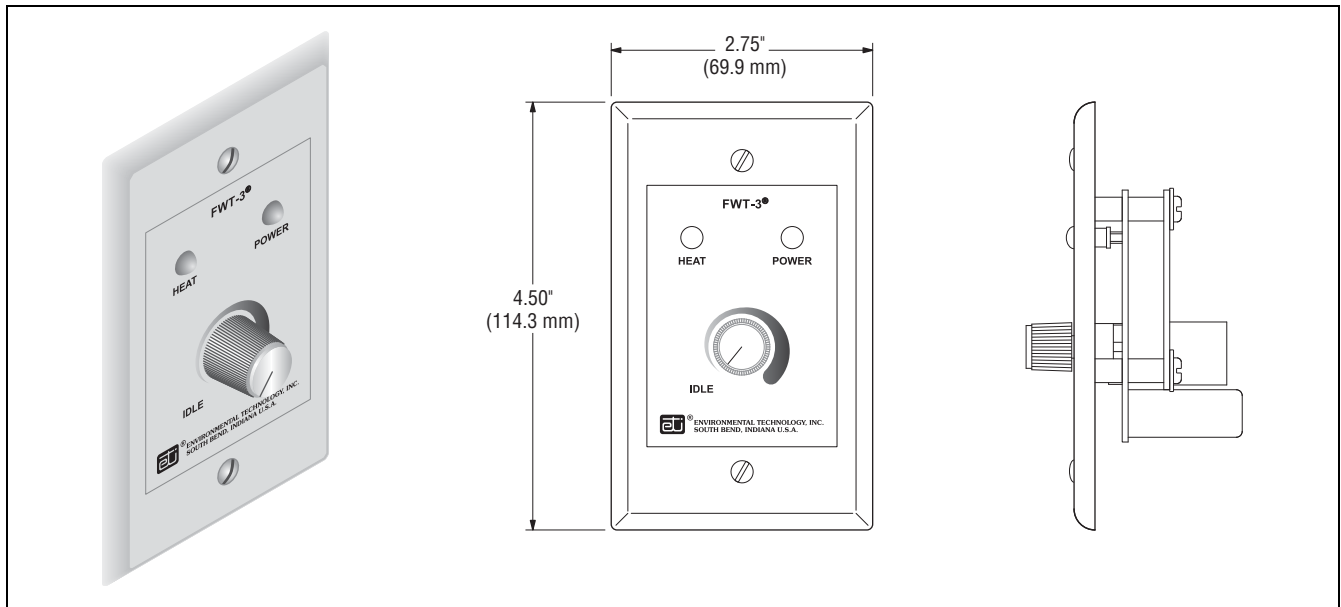
Floor heating thermostats

The FWT-3 floor heating thermostat assures comfort with maximum energy efficiency by automatically controlling electric floor heating systems. The Digital Anticipation feature provides superior temperature regulation when compared to conventional thermostats. The FWT-3 continuously learns how best to control heating to maximize comfort by minimizing temperature variations.

The FWT-3 provides a simple analog adjustment for setting the floor temperature with a

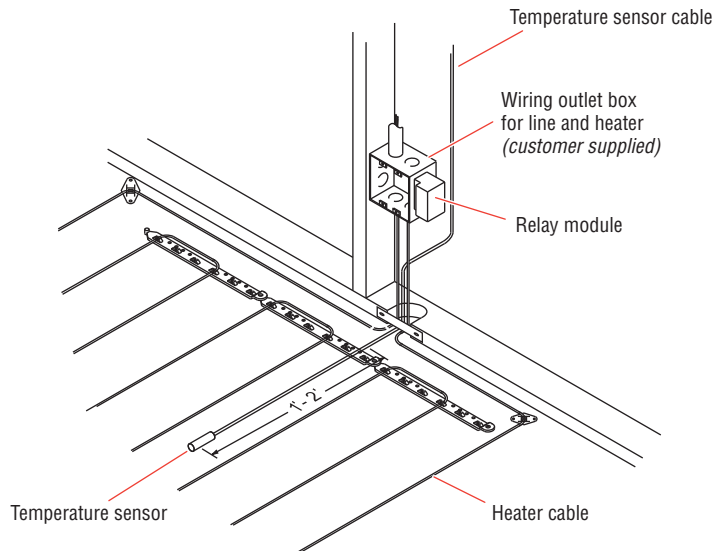
range of 50° to 95°F (10° to 35°C). Setting the adjustment fully counterclockwise inhibits heating which prevents energy waste by heating unoccupied areas. Status indicators show that power is present and the heating cables are operating. The low voltage NEC Class 2 FWT-3 derives its power from the external UL/CSA self-powered relay. The relay is mounted in a switch box installed at a convenient location. Only two wires connect the FWT-3 with the self-powered relay.

The temperature sensor is embedded in the floor substrate along with the heating cables. This provides quick response and precise control. The 25 ft sensor cable plugs into the FWT-3 thus simplifying installation. Universally available telephone accessories can be used to extend the sensor cable length. A missing or shorted sensor inhibits heater operation. Voltage options include 120, 208, 240, and 277 V. The relay controls heater loads up to 25 A except at 277 V where the maximum load is reduced to 22 A.



Installation

Install in accordance with the requirements of all applicable electrical and building codes and regulations.



Ordering Details

Catalog number	Part number	Description
FWT-3 120 V	138554	FWT-3 Radiant Floor Heating Control* 120 V
FWT-3 208 V	073710	FWT-3 Radiant Floor Heating Control* 208 V
FWT-3 240 V	C80364	FWT-3 Radiant Floor Heating Control* 240 V
FWT-3 277 V	382078	FWT-3 Radiant Floor Heating Control* 277 V**

* Includes temperature sensor with 25 ft (7.62 m) and self-powered contactor

** 22 A heater load rating

Limited warranty

ETI's two-year limited warranty covering defects in workmanship and materials applies.

**Worldwide Headquarters
Tyco Thermal Controls**
307 Constitution Drive
Menlo Park, CA 94025-1164
USA
Tel: (800) 545-6258
Tel: (650) 216-1526
Fax: (800) 527-5703
Fax: (650) 474-7711
info@tycothermal.com
www.tycothermal.com

**Canada
Tyco Thermal Controls**
250 West St.
Trenton, Ontario
Canada K8V 5S2
Tel: (800) 545-6258
Fax: (800) 527-5703

**Latin America
Tyco Thermal Controls**
7433 Harwin Drive
Houston, TX 77036
United States
Tel: (713) 868-4800
Tel: (713) 735-8645
Fax: (713) 868-2333

**Europe, Middle East, Africa
Tyco Thermal Controls**
Romeinse Straat 14
3001 Leuven
België / Belgique
Tel: (32) 16/213 511
Fax: (32) 16/213 603

**North Asia
Tyco Thermal Controls**
20F, Innovation Building,
1009 Yi Shan Rd,
Shanghai 200233,
P.R.China
Tel: 86-21-2412-1688
Fax: 86-21-5426-2937 / 5426-3167

Tyco and other trademarks are the property of Tyco Thermal Controls or its affiliates

tyco

Thermal Controls

Important: All information, including illustrations, is believed to be reliable. Users, however, should independently evaluate the suitability of each product for their particular application. Tyco Thermal Controls makes no warranties as to the accuracy or completeness of the information, and disclaims any liability regarding its use. Tyco Thermal Controls' only obligations are those in the Tyco Thermal Controls Standard Terms and Conditions of Sale for this product, and in no case will Tyco Thermal Controls or its distributors be liable for any incidental, indirect, or consequential damages arising from the sale, resale, use, or misuse of the product. Specifications are subject to change without notice. In addition, Tyco Thermal Controls reserves the right to make changes—without notification to Buyer—to processing or materials that do not affect compliance with any applicable specification.