

## ProtoNode-RER and ProtoNode-LR

The DigiTrace ProtoNode is an external, high performance multi-protocol gateway for customers needing protocol translation between Building Management Systems (BMS) using LonWorks®, BACnet® or Metasys® N2 and the DigiTrace C910-485 or ACCS-30 controllers.

Tyco Thermal Controls and FieldServer Technologies developed the DigiTrace ProtoNode-RER and DigiTrace ProtoNode-LER pre-programmed with the C910-485 and ACCS-30 Modbus maps for simple integration into your BMS. The field protocol, DigiTrace controller, Mac address, node ID and baud rate are DIP switch selectable.

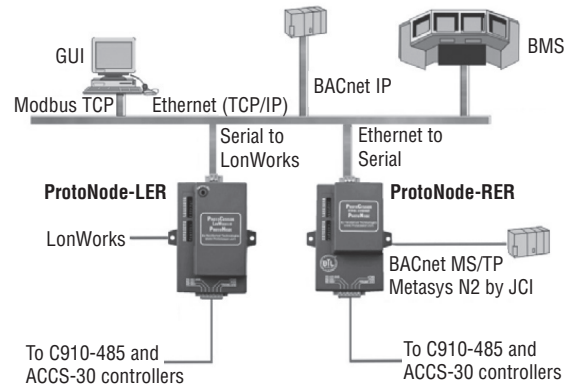
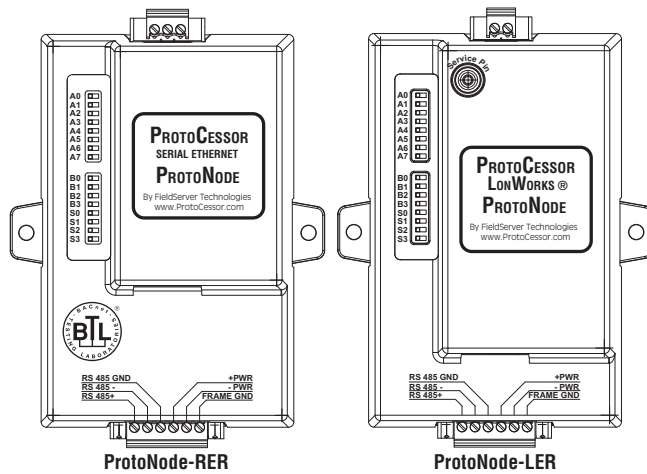
**ProtoNode-RER:** Provides support for Modbus RTU to BACnet MS/TP, BACnet IP (BTL Certified), and Metasys N2 protocol translation. The gateway features an ARM9 processor for fast performance and includes two RS-485 and one Ethernet ports.

**ProtoNode-LER:** Provides support for Modbus RTU to LonWorks protocol translation. The gateway features an ARM7 processor for fast performance and includes one serial, one RS-485, one Ethernet and one LonWorks ports.

### Features and benefits:

- The most flexible and versatile multiprotocol device server on the market
- BACnet International's BTL Certification makes the ProtoNode-RER the most reliable gateway on the market
- Dip switch selectable configuration files simplify the ProtoNode installation
- Multi-client and multi-server support ensures interoperability between any Industrial and or Building Automation protocols
- Flash upgradable

For additional information, contact your Tyco Thermal Controls representative or call Tyco Thermal Controls at (800) 545-6258.



### Approvals



BACnet Testing Labs (BTL) B-ASC on ProtoNode-RER

**Specifications**

	<b>ProtoNode-</b>	
Electrical connections	<ul style="list-style-type: none"> <li>• One 6-pin Phoenix connector, one RS-485 +/- ground port, power +/- frame ground port</li> <li>• One 3-pin RS-485 Phoenix connector, one RS-485 +/- ground port</li> <li>• One Ethernet-10/100 Ethernet port</li> </ul>	<ul style="list-style-type: none"> <li>• One 6-pin Phoenix connector, one RS-485 +/- ground port, power +/- frame ground port</li> <li>• One Ethernet-10/100 Ethernet port</li> <li>• One FTT-10 LonWorks port</li> </ul>
Power requirements	9–30 Vdc or Vac, or 5 Vdc	9–30 Vdc or Vac, or 5 Vdc
Current draw	150 mA @ 12 V	279 mA @ 12 V
Supported field protocols	<ul style="list-style-type: none"> <li>• BACnet IP (Ethernet)</li> <li>• BACnet MS/TP (RS-485)</li> <li>• Metasys N2 open (RS-485)</li> </ul>	<ul style="list-style-type: none"> <li>• LonWorks (serial FTT-10)</li> </ul>
Operating temperature	–40°F to 187°F (–40°C to 85°C)	–40°F to 187°F (–40°C to 85°C)
Relative humidity	5–90% RH, noncondensing	5–90% RH, noncondensing
Enclosure dimensions	4.37 in L x 2.75 in W x 1.50 in H (11.10 cm L x 7.00 cm W x 3.81 cm H)	4.37 in L x 2.75 in W x 1.50 in H (11.10 cm L x 7.00 cm W x 3.81 cm H)

**Ordering Details**

<b>Description</b>	<b>Catalog Number</b>	<b>Part Number</b>	<b>Weight (lbs)</b>
DigiTrace ProtoNode-RER: BACnet MSTP/IP and Metasys N2 protocol gateway	ProtoNode-RER	P000001227	1.3
DigiTrace ProtoNode-LER: LonWorks protocol gateway	ProtoNode-LER	P000001228	1.3

**Worldwide Headquarters  
Tyco Thermal Controls**

7433 Harwin Drive  
Houston, TX 77036  
USA  
Tel: 800-545-6258  
Tel: 650-216-1526  
Fax: 800-527-5703  
Fax: 650-474-7711  
info@tycothermal.com  
www.tycothermal.com

**Canada  
Tyco Thermal Controls**

250 West St.  
Trenton, Ontario  
Canada K8V 5S2  
Tel: 800-545-6258  
Fax: 800-527-5703

**Latin America  
Tyco Thermal Controls**

7433 Harwin Drive  
Houston, TX 77036  
United States  
Tel: 713-868-4800  
Tel: 713-735-8645  
Fax: 713-868-2333

**Europe, Middle East, Africa (EMEA)  
Tyco Thermal Controls**

Romeinse Straat 14  
3001 Leuven  
België / Belgique  
Tel: +32 16 213 511  
Fax: +32 16 213 603

**Asia Pacific  
Tyco Thermal Controls**

20F, Innovation Building,  
1009 Yi Shan Rd,  
Shanghai 200233,  
P.R.China  
Tel: +86 21 2412 1688  
Fax: +86 21 5426 2937 / 5426 3167

Tyco, Alliance Integrated Systems, AMC, AutoMatrix, AutoSol, BTV, CapaciSense, Chemelex, DHSX, DigiTrace, DigiTrace logo, DigiTrace Supervisor, Duoterm, ElectroMelt, EM2XR, FHSM, FHSC, FlexFit, FlexiClic, Flowguard, FreezeTrace, FreezGuard, Frostex, Frostex Plus, Frostguard, FroStop, FSE, Gardian, HAK, Handvise, HBTv, HCCL, HotCap, HQTv, HTPG, HTPi, HWAT, HXTv, IceStop, Interlock, Isocable, Isodrum, Isoheat, Isomantle, Isopad, Isopad Frostguard, Isopad logo, Isopanel, Isotape, Isotherm, JBM, JBS, K-Flex, K-Flex logo, KHE, KHH, KHL, KHP, KTV, Labsafe, LBTv, LHC, LHFV, LHRV, Metabond, Mini WinterGard, Miser WinterGard, MoniTrace, Multi-plus, NGC, PetroTrace, PLI, PolyMatrix, Pyro CiC, PyroFLX, Pyromaster, Pyropak, Pyrosil, PyroSizer, Pyrotenax, Pyrotenax Designer, Pyrotenax logo, QTVR, QuickNet, QuickNet logo, QuickStat, QuickTerm, RayClic, RaySol, RayStat, Retro WinterGard, RHS, RHSC, RHSM, RMM2, SBF, SBV, SC, SHC, Sheathmaster, ShowerGuard, SLBTv, Smart Heat for Comfort and Safety, SnoCalc, SnoCalc logo, STS, System 500, System 1850, System 1850-SE, System 2000, System 2200, T2, T2 logo, T2Blue, T2QuickNet, T2Red, T2Reflecta, TankCalc Plus, TempBus, Thermoheat, ThermoLimit, Thermo-Line, Total Care in Heat-tracing, Touch, Trac-Loc, Trac Calc, TraceCalc Net, TraceCalc Net logo, TraceCalc Pro logo, TraceGuard 277, TraceMaster, Tracer, Tracer logo, TRACERLYNX, TRACERLYNX logo, TraceStat, TraceTek, TraceTek logo, TruckPak, VLBTv, VLKTv, VPL, We manage the heat you need, WinterGard, WinterGard logo, WinterGard Plus, WinterGard Wet, XL-ERATE, XL-ERATE logo, XL-Trace, XTV and Zero EMI are registered and/or unregistered trademarks of Tyco Thermal Controls LLC or its affiliates.

All other trademarks are the property of their respective owners.



**Important:** All information, including illustrations, is believed to be reliable. Users, however, should independently evaluate the suitability of each product for their particular application. Tyco Thermal Controls makes no warranties as to the accuracy or completeness of the information, and disclaims any liability regarding its use. Tyco Thermal Controls' only obligations are those in the Tyco Thermal Controls Standard Terms and Conditions of Sale for this product, and in no case will Tyco Thermal Controls or its distributors be liable for any incidental, indirect, or consequential damages arising from the sale, resale, use, or misuse of the product. Specifications are subject to change without notice. In addition, Tyco Thermal Controls reserves the right to make changes—without notification to Buyer—to processing or materials that do not affect compliance with any applicable specification.