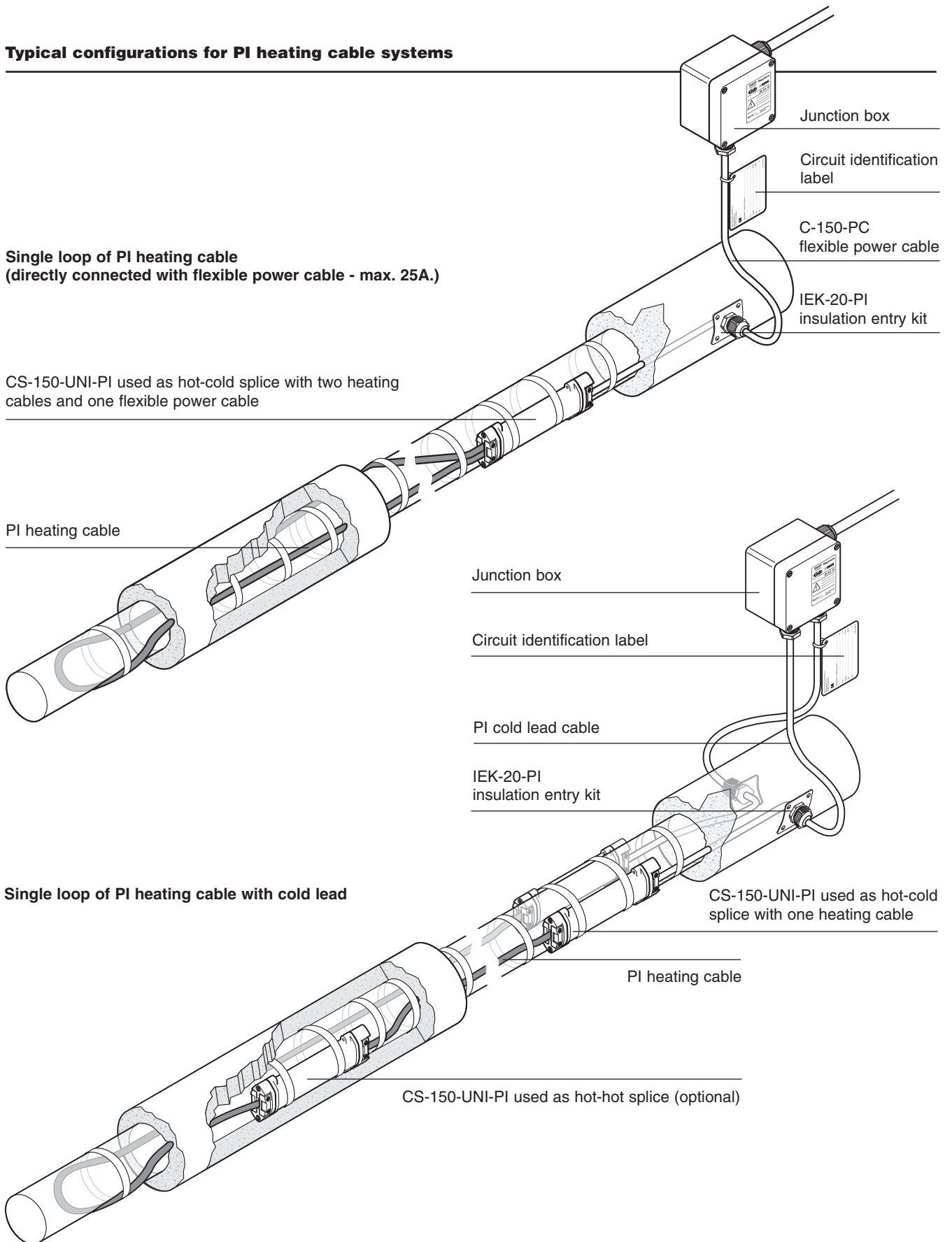


Typical configurations for PI heating cable systems

Single loop of PI heating cable
(directly connected with flexible power cable - max. 25A.)

CS-150-UNI-PI used as hot-cold splice with two heating cables and one flexible power cable

PI heating cable



Single loop of PI heating cable with cold lead

CS-150-UNI-PI used as hot-cold splice with one heating cable

PI heating cable

CS-150-UNI-PI used as hot-hot splice (optional)