

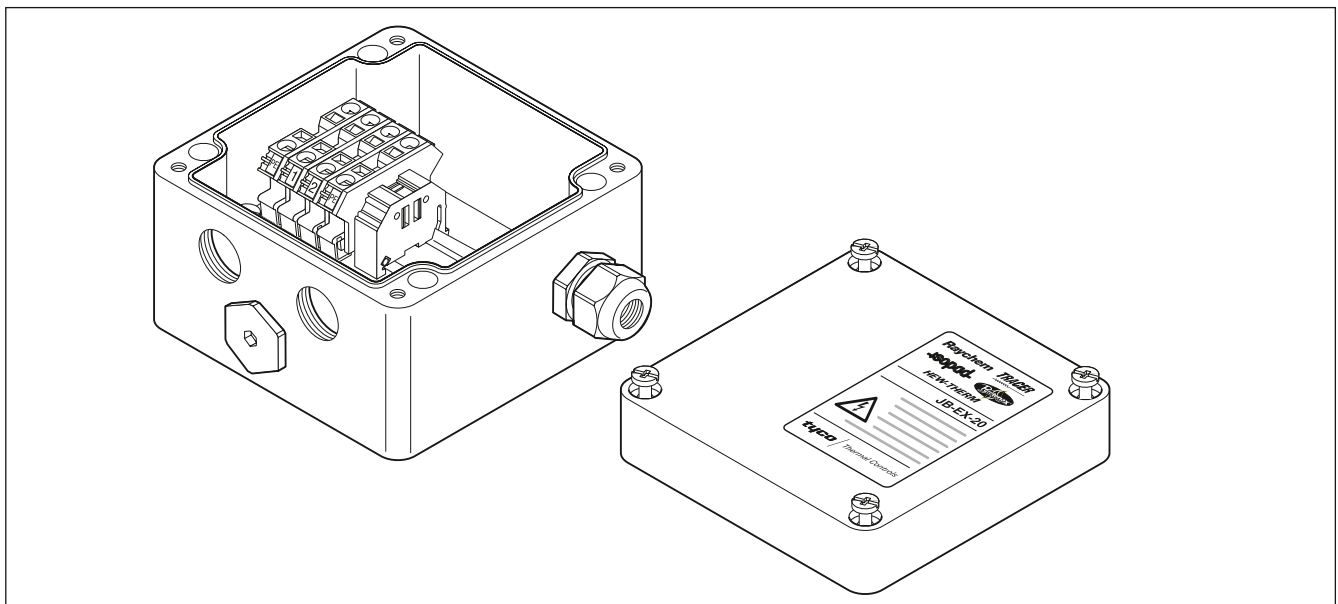
Ex Multi purpose junction box

ATEX approved junction box for use in hazardous areas with FxT, PI and MI heating cables. This box can be used to make connections between power cables, heating cables and cold lead cables. Depending on the configuration of the system, the box can accommodate

heating cables, cold leads and a power cable. M20 connection kits have to be ordered separately depending on the type of heating cable being used. Cable connection is via DIN rail mounted CAGE CLAMP® terminals from WAGO to

provide fast installation and safe, reliable, maintenance-free operation. The box can be either wall or pipe mounted via the four holes moulded in the base of the box. For pipe mounting, use one of the standard support brackets.

Components

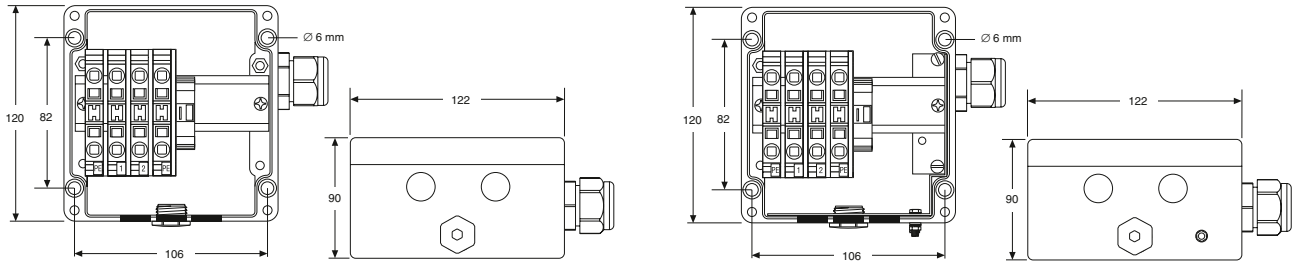


	JB-EX-20	JB-EX-20-EP
Typical use	Power supply box for series heating cables (PI & MI) and constant wattage parallel heating cables (FxT) or end box (star) for series heating cables (PI & MI), when using M20 connection kits	
Entries	3 x M20 1 x M25	3 x M20 1 x M25
Kit contents	Junction box with cage clamp terminals on DIN rail 1 x M20 stopping plug 2 x M20 rain plugs (temporary) 1 x M25 Hazardous area approved cable gland for power cables with Ø of 8 to 17 mm 1 x terminal jumper allowing various wiring configurations (remove terminal plate)	Junction box with cage clamp terminals on DIN rail, earthing plate and an external earth stud 1 x M20 stopping plug 2 x M20 rain plugs (temporary)
Approvals	PTB 00 ATEX 1002 Ex II 2 G/D EEx e II T6 IP 66	PTB 00 ATEX 1002 Ex II 2 G/D EEx e II T6 IP 66
Materials of construction		
Box & lid	Glass filled polyester	Glass filled polyester
Sealing gasket	Silicone rubber	Silicone rubber
Lid fixing screws	Stainless steel (captive)	Stainless steel (captive)
Earthing plate	N.A.	Steel, zinc plated and blue chromated
Ingress protection	IP66	IP66
Ambient temperature range	-55°C to +55°C	-55°C to +55°C

JB-EX-20

JB-EX-20-EP

Dimensions (in mm)



Terminals

Quantity	4 pcs cage clamp	4 pcs cage clamp
Labeling	1, 2 + 2 x PE	1, 2 + 2 x PE
Maximum conductor size	10 mm ² (solid & stranded)	10 mm ² (solid & stranded)
Maximum operating voltage	590 V ac	590 V ac
Maximum operating current	53 A	53 A

Accessories (to be ordered separately)

Support bracket	SB-100, SB-101, SB-110, SB-111	
Power cable gland	GL-36-M25 (included)	GL-38-M25-METAL (optional)
Loose terminals (*)	Phase/neutral terminal Earth terminal End plate Terminal jumper	HWA-WAGO-PHASE HWA-WAGO-EARTH HWA-WAGO-ENDPLATE HWA-WAGO-JUMPER
Connection kit for FxT heating cables	C20-01-FxT hot applied connection kit with plastic gland	C20-02-FxT cold applied connection kit with metal gland
Insulation entry kit for FxT heating cables	IEK-25-04 or IEK-25-PIPE	IEK-25-04 or IEK-25-PIPE
Gland for PI cold leads	GL-44-M20-KIT hazardous area approved gland for cables Ø 5-13mm	
Insulation entry kit for PI cold leads	IEK-20-PI	IEK-20-PI
Gland for MI cold leads	Contact Tyco Thermal Controls or refer to DOC-606	

Ordering details

Order reference	JB-EX-20	JB-EX-20-EP
Part number (Weight)	1244-000590 (0.9 kg)	1244-0006384 (1 kg)

(*) in total no more than 6 terminals of this type should be installed.

European Headquarters

Tyco Thermal Controls
Romeinsestraat 14
3001 Leuven
Belgium
Tel. (32) 16 213 511
Fax (32) 16 213 610
info@tycothermal.com

België / Belgique

Tyco Thermal Controls
Romeinsestraat 14
3001 Leuven
Tel. (016) 213 502
Fax (016) 213 604

Bulgaria

ERZET Engineering
Kompl. Bratja Miladinovi/bl57/vch.4A
BG-8000 Burgas
Tel./fax (56) 86 68 86
Mobile (88) 86 39 903
Fax (UK) +44 8701368787

Česká Republika

Raychem HTS s.r.o.
Novodvorská 82
14200 Praha 4
Tel. 241 009 215
Fax 241 009 219

Danmark

Tyco Thermal Controls Nordic AB
Flöjelbergsgatan 20B
SE-431 37 Mölndal
Tel. 70 11 04 00
Fax 70 11 04 01

Deutschland

Tyco Thermal Controls GmbH
Birlenbacher Strasse 19-21
57078 Siegen-Geisweid
Tel. 0800 1818205
Fax 0800 1818204

España

Tyco Thermal Controls N.V.
Ctra. De la Coruña, km. 23,500
Edificio ECU I
28290 Las Rozas, Madrid
Tel. (902) 125 307
Fax (91) 640 29 90

France

Tyco Thermal Controls SAS
B.P. 90738
95004 Cergy-Pontoise Cedex
Tél. 0800 906045
Fax 0800 906003

Hrvatska

ELGRI d.o.o.
S. Mihalica 2
10000 Zagreb
Tel. (1) 6050188
Fax (1) 6050187

Italia

Tyco Thermal Controls SPA
Centro Direzionale Milanofiori
Palazzo F1
20090 Assago, Milano
Tel. +39 02 57761520
Fax +39 02 57761528

Lietuva/Latvija/Eesti

Tyco Thermal Controls BV Atstovybe
Smolensko g. 6
LT-03201 Vilnius
Tel. +370 5 2136633
Fax +370 5 2330084

Magyarország

Szarka Ignác
Maroshévisz u. 8
1173 Budapest
Tel. (1) 253 76 17
Fax (1) 253 76 18

Nederland

Tyco Thermal Controls b.v.
Van Heuven Goedhartlaan 121
1181 KK Amstelveen
Tel. 0800 0224978
Fax 0800 0224993

Norge

Tyco Thermal Controls Norway AS
Postboks 6076 - Etterstad
0601 Oslo
Tel. +47 66 81 79 90
Fax +47 66 80 83 92

Österreich

Tyco Thermal Controls
Division of Tyco Fire & Integrated
Solutions GmbH
Office Wien
Brown-Boveri Strasse 6/14
2351 Wiener Neudorf
Tel. (0 22 36) 86 00 77
Fax (0 22 36) 86 00 77-5

Polska

Tyco Thermal Controls Polska Sp. z o.o.
ul. Cybertyki 19
02-677 Warszawa
Tel. 0 800 800 114
Fax 0 800 800 115

Republic of Kazakhstan

Tyco Thermal Controls
4 Khakimov St.
Atyrau, 060002
Tel. +7 7122 32 56 51
Fax +7 7122 32 56 38

Romania

Tyco Thermal Controls Romania
53 Primaverii Bvd.
011973 Bucuresti
Tel. 21 317 92 87
Fax 21 317 92 87

Russia

Tyco Thermal Controls
19, Panfilova Street, 11th floor
Country Park Business Center
141407, Moscow Region, Khimki
Tel. +7 495 540 1885
Fax +7 495 540 1886

Schweiz / Suisse

Tyco Thermal Controls N.V.
Office Baar
Haldenstrasse 5
Postfach 2724
6342 Baar
Tel. (041) 766 30 80
Fax (041) 766 30 81

Serbia and Montenegro

Keying d.o.o.
Vuka Karadžića 79
23300 Kikinda
Tel. (230) 401 770
Fax (230) 401 790

Suomi

Tyco Thermal Controls Nordic AB
Flöjelbergsgatan 20B
SE-431 37 Mölndal
Puh. 0800 11 67 99
Telekopio 0800 11 86 74

Sverige

Tyco Thermal Controls Nordic AB
Kanalvägen 3 A
SE-194 61 Upplands Väsby
Tel. 08-590 094 60
Fax 08-590 925 70

Türkiye

SAMM Dış Ticaret A.Ş.
Yeniyol Sk. Etap İş Merkezi C
Blok No: 10 Kat: 6
34722 Acıbadem - Kadıköy
İSTANBUL
Tel: +90-216-325 61 62 (Pbx)
Faks: +90-216-325 22 24

United Kingdom

Tyco Thermal Controls (UK) Ltd
3 Rutherford Road,
Stephenson Industrial Estate
Washington, Tyne & Wear
NE37 3HX
Tel. 0800 969013
Fax: 0800 968624

Worldwide Headquarters

Tyco Thermal Controls
2415 Bay Road
Redwood City, CA 94063-3032
USA
Tel. (1)(650) 216-1526
Fax (1)(650) 474-7711
info@tycothermal.com

www.tycothermal.com

Raychem, Pyrotenax, Tracer and Isopad are trademarks of Tyco Thermal Controls, LLC or its affiliates. HEW-THERM is a trademark of HEW-KABEL/CDT GmbH & Co.KG. Sharepoint is a trademark of Microsoft Cooperation.

Important: All information, including illustrations, is believed to be reliable. Users, however, should independently evaluate the suitability of each product for their particular application. Tyco Thermal Controls makes no warranties as to the accuracy or completeness of the information, and disclaims any liability regarding its use. Tyco Thermal Controls' only obligations are those in the Tyco Thermal Controls Standard Terms and Conditions of Sale for this product, and in no case will Tyco Thermal Controls or its distributors be liable for any incidental, indirect or consequential damages arising from the sale, resale, use or misuse of the product. Specifications are subject to change without notice. In addition, Tyco Thermal Controls reserves the right to make changes, without notification to the Buyer, to processing or materials that do not affect compliance with any applicable specification.

tyco
Thermal Controls

 Our products satisfy the requirements of the relevant European Directives.