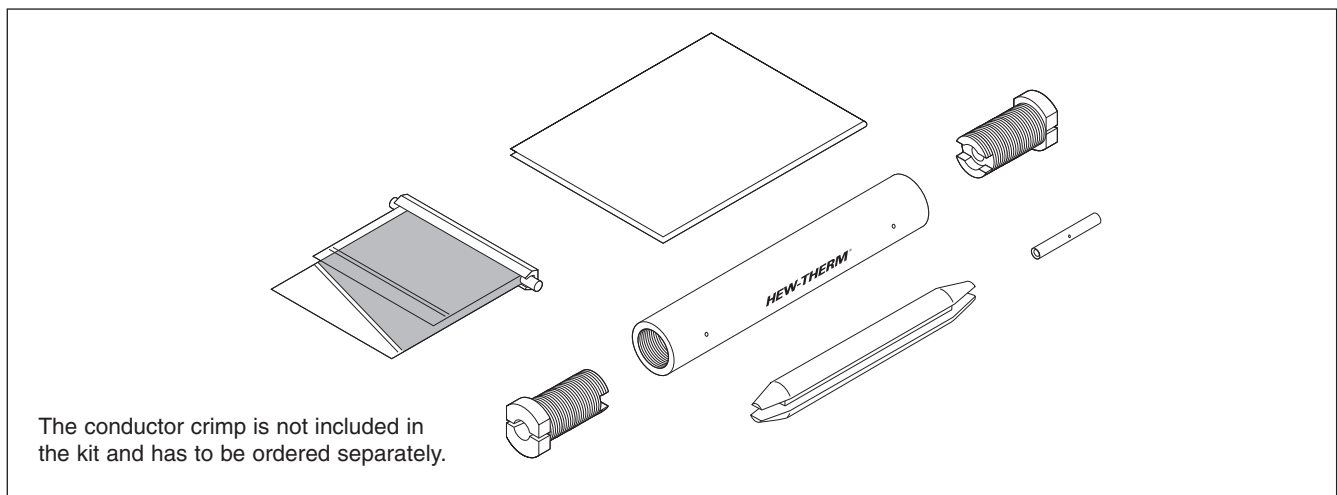


⊕ Cold applied connection and splice kit with silicone sealing for Polymer Insulated (PI) heating cables

The kits CS-150-xx-PI are designed to connect a PI cold lead cable to a polymer insulated (PI) series heating cable as well as to splice two PI heating cables. The kit employs a two component silicone compound to provide durable and flexible moisture proof encapsulation. Electrical continuation is maintained via specially engineered crimps that provide a highly reliable electrical connection (gas tight). It is very important that the electri-

cal crimp connections are performed with the correct crimp tool (PI-TOOL-xx). Due to its low profile design, the connection can be easily installed under the insulation directly on the pipe. If used as a connection kit, a cable gland, an insulation entry kit as well as a crimp for the connection between the cold lead and the heating cable, need to be ordered separately. If used as a splice kit, just the heating cable conductor crimp is needed

additionally. For simplified installation- and maintenance work, we offer a crimp toolbox that contains the suitable installation tool, crimping dies and a variety of crimps exactly matching common cable types. For all details concerning the crimping system, refer to the datasheet of the electrical connection system for PI heating cables (PI-TOOL-SET-xx).



Application	Cold applied silicone sealed connection / splice for PI heating cables.		
Kit contents	1 x PTFE body 2 x PTFE plugs 1 x PTFE crimp separator 1 x two component silicone compound in plastic bag (shelf life is 12 months) multilingual installation instruction		
Approvals	PTB 03 ATEX 1128 U ⊕ II 2 G/D EEx e II IP 65		
Dimensions	CS-150-2.5-PI: Overall length ~120 mm, Ø ~17 mm CS-150-6-PI: Overall length ~120 mm, Ø ~26 mm CS-150-25-PI: Overall length ~135 mm, Ø ~35 mm		
Technical data	CS-150-2.5-PI	CS-150-6-PI	CS-150-25-PI
Max. operating temperature	200°C continuous, (260°C intermittent)		
Max. operating voltage	450 V nominal		
Max. operating current	Only limited by heating cable used		
Cable / Cold leads	Up to 2.5 mm ²	4 to 6 mm ²	10 to 25 mm ²
Ordering details			
Order reference	CS-150-2.5-PI	CS-150-6-PI	CS-150-25-PI
Part number (Weight)	1244-000586 (0.1 kg)	1244-000588 (0.2 kg)	1244-000587 (0.3 kg)
Accessories			
Cable gland for connection kit	GL-44-M20-KIT (one piece per cold lead connection; to be ordered separately)		