

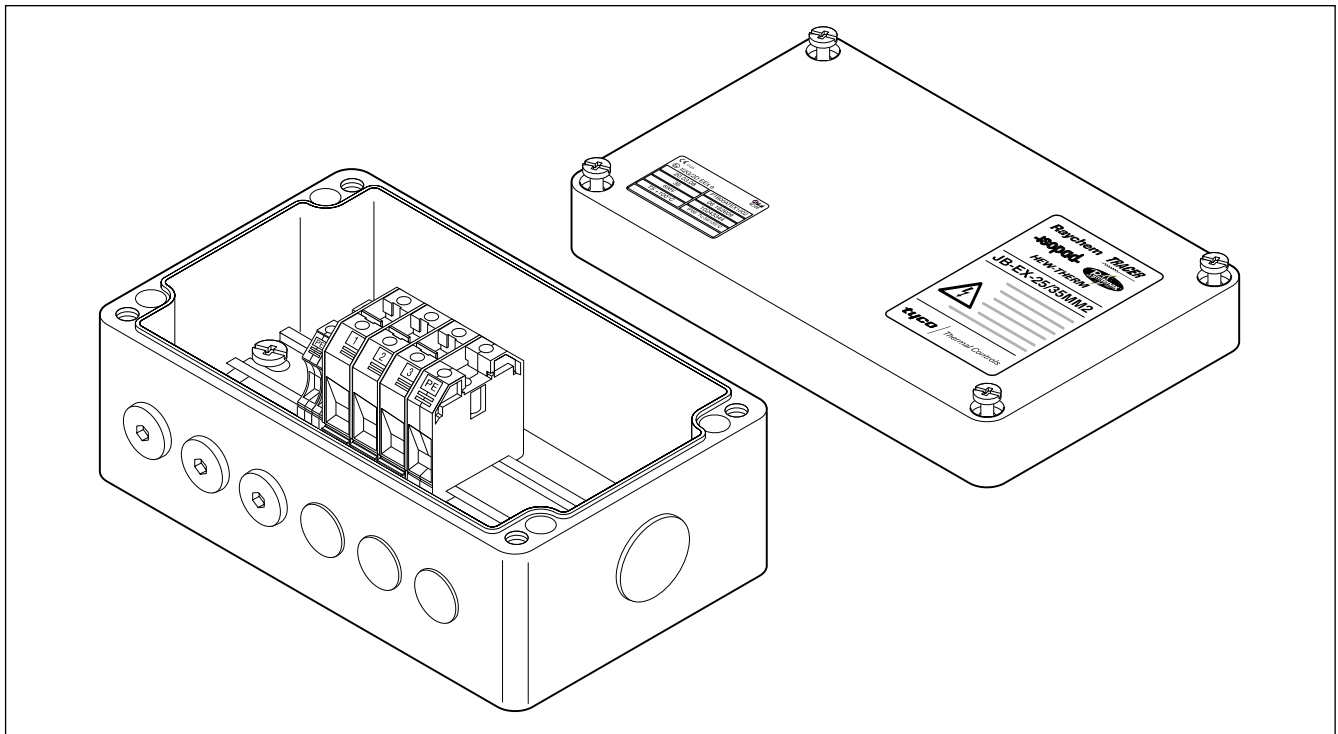
**Ex Multi purpose junction box**

ATEX approved junction box for use in hazardous areas with MI heating cables when larger terminal sizes are required. This box can be used to make connections between power cables, heating and cold lead cables. Depending on the configuration of the system, the box can

accommodate multiple heating cables / cold leads and a power cable. M25 glands are installed on factory terminated MI heating units. In case of on-site assemblies, refer to DOC-606 for detailed information about the required accessories.

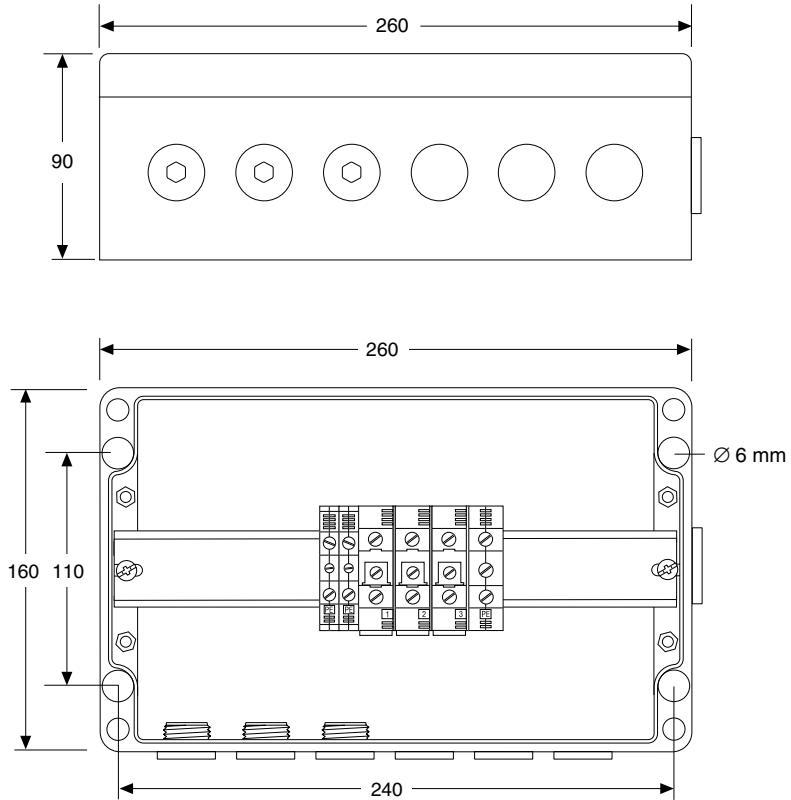
Cable connection is accomplished via DIN rail mounted screw terminals from Weidmüller to provide safe, reliable and maintenance-free operation. The box can be wall mounted via the four holes molded in the base of the box.

Components



<b>Typical use</b>	Power supply box, end-box, splice box for series heating cables (MI), when terminated with M25 glands. Marshalling box for power cables.
<b>Entries</b>	6 x M25 1 x M40
<b>Kit contents</b>	Junction box with screw terminals on DIN rail 3 x M25 stopping plugs 3 x M25 rain plugs (temporary) 1 x M40 stopping plug
<b>Approvals</b>	PTB 00 ATEX 1002 Ex II 2G/D EEx e II T5 IP66
<b>Materials of construction</b>	
Box & lid	Glass filled polyester
Sealing gasket	Silicone rubber
Lid fixing screws	Stainless steel (captive)
<b>Ingress protection</b>	IP66
<b>Ambient temperature range</b>	-50°C to +55°C

Dimensions (in mm)



Terminals

Quantity & type	3 pcs WDU35 screw terminals 2 pcs WPE10 earth terminals for heating cable earth leads 1 pc WPE35 earth terminal for power cable Junction box can accommodate up to 6 fully loaded phase/neutral terminals (maximum 10 terminals in total)
Labelling	1, 2, 3 + 3 x PE
Minimum conductor size	2.5 mm <sup>2</sup> stranded & solid
Maximum conductor size	35 mm <sup>2</sup> stranded & 16 mm <sup>2</sup> solid
Maximum operating voltage	690 Vac
Maximum operating current	100 A

Accessories (to be ordered separately)

Glands for power cables	GL-51-M40 hazardous area approved gland for cables Ø 17-28 mm, GL-45-M32 hazardous area approved gland for cables Ø 12-21 mm, GL-36-M25 hazardous area approved gland for cables Ø 8.5-16 mm
Reducer	REDUCER-M40/32-EEXE hazardous area M40 male to M32 female reducer
Loose terminals	35 mm <sup>2</sup> phase/neutral terminal HWA-WDM-PHASE-35 10 mm <sup>2</sup> earth terminal HWA-WDM-EARTH-10 35 mm <sup>2</sup> earth terminal HWA-WDM-EARTH-35 Endplate HWA-WDM-PLATE Terminal jumper (2) HWA-WDM-JUMPER-35-2 Terminal jumper (3) HWA-WDM-JUMPER-35-3
Gland for MI cold leads	In case of factory terminated MI heating units, supplied with MI units. For on-site assemblies, contact Tyco Thermal Controls or refer to DOC-606

Ordering details

Order reference	JB-EX-25/35MM2
Part number (Weight)	1244-006654 (1.9 kg)

**European Headquarters**

Tyco Thermal Controls  
Romeinsestraat 14  
3001 Leuven  
Belgium  
Tel. (32) 16 213 511  
Fax (32) 16 213 610  
info@tycothermal.com

**België / Belgique**

Tyco Thermal Controls  
Romeinsestraat 14  
3001 Leuven  
Tel. (016) 213 502  
Fax (016) 213 604

**Bulgaria**

ERZET Engineering  
Kompl. Bratja Miladinovi/bl57/vch.4A  
BG-8000 Burgas  
Tel./fax (56) 86 68 86  
Mobile (88) 86 39 903  
Fax (UK) +44 8701368787

**Česká Republika**

Raychem HTS s.r.o.  
Novodvorská 82  
14200 Praha 4  
Tel. 241 009 215  
Fax 241 009 219

**Danmark**

Tyco Thermal Controls Nordic AB  
Flöjelbergsgatan 20B  
SE-431 37 Mölndal  
Tel. 70 11 04 00  
Fax 70 11 04 01

**Deutschland**

Tyco Thermal Controls GmbH  
Birlenbacher Strasse 19-21  
57078 Siegen-Geisweid  
Tel. 0800 1818205  
Fax 0800 1818204

**España**

Tyco Thermal Controls N.V.  
Ctra. De la Coruña, km. 23,500  
Edificio ECU I  
28290 Las Rozas, Madrid  
Tel. (902) 125 307  
Fax (91) 640 29 90

**France**

Tyco Thermal Controls SAS  
B.P. 90738  
95004 Cergy-Pontoise Cedex  
Tél. 0800 906045  
Fax 0800 906003

**Hrvatska**

ELGRI d.o.o.  
S. Mihalica 2  
10000 Zagreb  
Tel. (1) 6050188  
Fax (1) 6050187

**Italia**

Tyco Thermal Controls SPA  
Centro Direzionale Milanofiori  
Palazzo F1  
20090 Assago, Milano  
Tel. 02 5776151  
Fax 02 577615528

**Lietuva/Latvija/Eesti**

Tyco Thermal Controls BV Atstovybe  
Smolensko g. 6  
LT-03201 Vilnius  
Tel. +370 5 2136633  
Fax +370 5 2330084

**Magyarország**

Szarka Ignác  
Maroshévisz u. 8  
1173 Budapest  
Tel. (1) 253 76 17  
Fax (1) 253 76 18

**Nederland**

Tyco Thermal Controls b.v.  
Van Heuven Goedhartlaan 121  
1181 KK Amstelveen  
Tel. 0800 0224978  
Fax 0800 0224993

**Norge**

Tyco Thermal Controls Norway AS  
Postboks 146  
1441 Drøbak  
Tel. +47 66 81 79 90  
Fax +47 66 80 83 92

**Österreich**

Tyco Thermal Controls  
Division of Tyco Fire & Integrated  
Solutions GmbH  
Office Wien  
Brown-Boveri Strasse 6/14  
2351 Wiener Neudorf  
Tel. (0 22 36) 86 00 77  
Fax (0 22 36) 86 00 77-5

**Polska**

Tyco Thermal Controls Polska Sp. z o.o.  
ul. Cybertyki 19  
02-677 Warszawa  
Tel. 0800 800 114  
Fax 0800 800 115

**Republic of Kazakhstan**

Tyco Thermal Controls  
4 Khakimov St.  
Atyrau, 060002  
Tel. +7 7122 32 56 51  
Fax +7 7122 32 56 38

**Romania**

Tyco Thermal Controls Romania  
53 Primaverii Bvd.  
011973 Bucuresti  
Tel. 21 317 92 87  
Fax 21 317 92 87

**РОССИЯ и другие страны СНГ**

ООО « Тайко Термал Контролс »  
141407, Московская обл., г. Химки  
ул. Панфилова, 19, 11 этаж,  
Деловой Центр Кантри Парк  
Тел. +7 (495) 540 18 84  
Факс +7 (495) 540 18 86

**Serbia and Montenegro**

Keying d.o.o.  
Vuka Karadžića 79  
23300 Kikinda  
Tel. (230) 401 770  
Fax (230) 401 790

**Schweiz / Suisse**

Tyco Thermal Controls N.V.  
Office Baar  
Haldenstrasse 5  
Postfach 2724  
6342 Baar  
Tel. (041) 766 30 80  
Fax (041) 766 30 81

**Suomi**

Tyco Thermal Controls Nordic AB  
Flöjelbergsgatan 20B  
SE-431 37 Mölndal  
Puh. 0800 11 67 99  
Telekopio 0800 11 86 74

**Sverige**

Tyco Thermal Controls Nordic AB  
Kanalvägen 3 A  
SE-194 61 Upplands Väsby  
Tel. 08-590 094 60  
Fax 08-590 925 70

**Türkiye**

SAMM Dış Ticaret A.Ş.  
Yeniyol Sk. Etap İş Merkezi C  
Blok No : 10 Kat : 6  
34722 Acıbadem - Kadıköy  
İSTANBUL  
Tel : +0216-325 61 62 (Pbx)  
Faks : +0216-325 22 24

**United Kingdom**

Tyco Thermal Controls (UK) Ltd  
3 Rutherford Road,  
Stephenson Industrial Estate  
Washington, Tyne & Wear  
NE37 3HX  
Tel. 0800 969013  
Fax: 0800 968624

**Worldwide Headquarters**

Tyco Thermal Controls  
2415 Bay Road  
Redwood City, CA 94063-3032  
USA  
Tel. (1)(650) 216-1526  
Fax (1)(650) 474-7711  
info@tycothermal.com

[www.tycothermal.com](http://www.tycothermal.com)

Raychem, Pyrotenax, Tracer and Isopad are trademarks of Tyco Thermal Controls, LLC or its affiliates. HEW-THERM is a trademark of HEW-KABEL/CDT GmbH & Co.KG.

*Important: All information, including illustrations, is believed to be reliable. Users, however, should independently evaluate the suitability of each product for their particular application. Tyco Thermal Controls makes no warranties as to the accuracy or completeness of the information, and disclaims any liability regarding its use. Tyco Thermal Controls' only obligations are those in the Tyco Thermal Controls Standard Terms and Conditions of Sale for this product, and in no case will Tyco Thermal Controls or its distributors be liable for any incidental, indirect or consequential damages arising from the sale, resale, use or misuse of the product. Specifications are subject to change without notice. In addition, Tyco Thermal Controls reserves the right to make changes, without notification to the Buyer, to processing or materials that do not affect compliance with any applicable specification.*

**tyco**  
Thermal Controls

 Our products satisfy the requirements of the relevant European Directives.