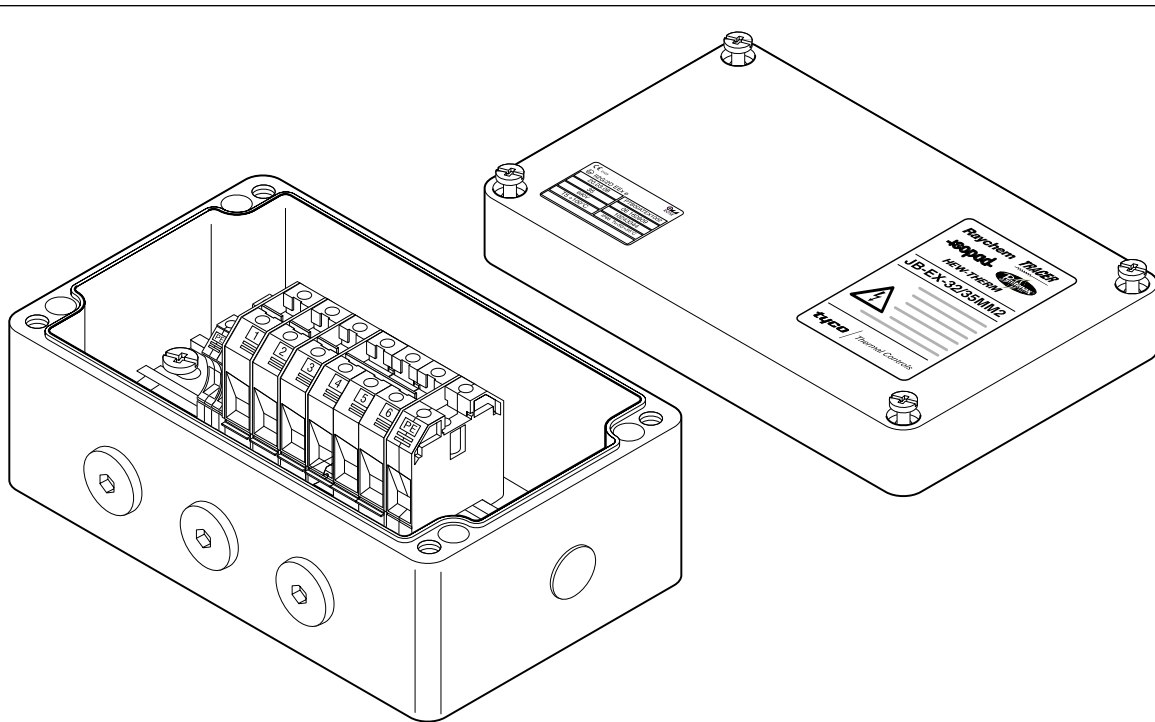


Ex Multi purpose junction box

ATEX approved junction box for use in hazardous areas with MI heating cables when large terminal sizes are required. This box can be used to make connections between power cables, heating cables and cold lead cables. Depending on the configuration of the system, the

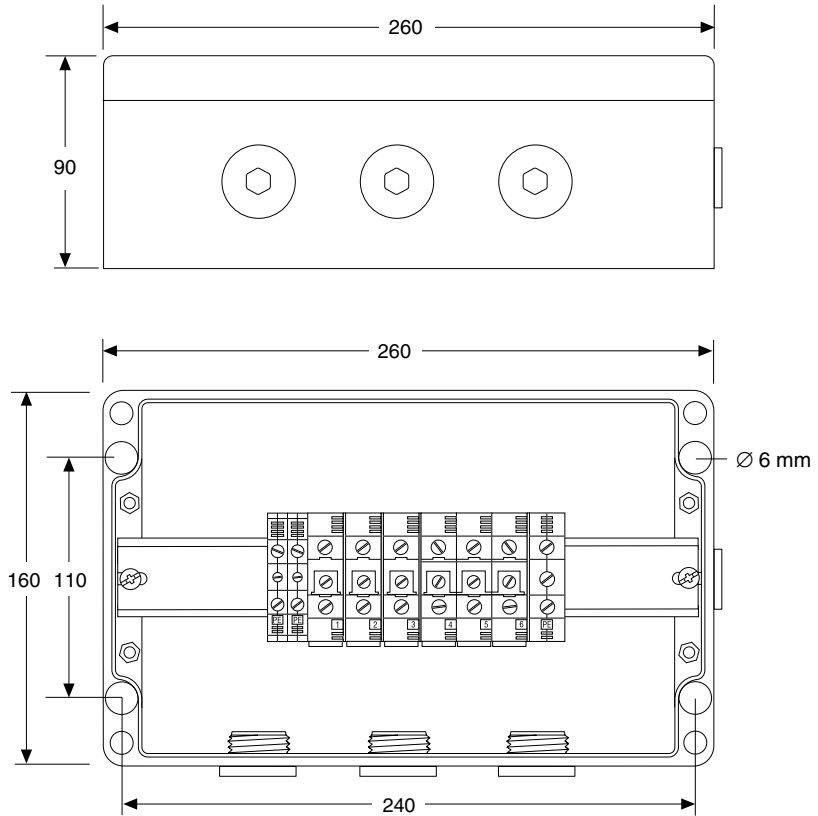
box can accommodate multiple heating cables / cold leads and a power cable. The M32 glands are already present in the case of factory terminated heating units. In case of on-site assemblies, refer to DOC-606 for detailed information about the required accessories.

Cable connection is accomplished via DIN rail mounted screw terminals from Weidmüller to provide safe, reliable and maintenance-free operation. The box can be wall mounted via the four holes molded in the base of the box.



Typical use	Power supply box, end-box, splice box for series heating cables (MI), when terminated with M32 glands. Marshalling box for power cables.
Entries	3 x M32 1 x M40
Kit contents	Junction box with screw terminals on DIN rail 3 x M32 stopping plugs 1 x M40 stopping plug
Approvals	PTB 00 ATEX 1002 Ex II 2G/D EEx e II T6 IP66
Materials of construction	
Box & lid	Glass filled polyester
Sealing gasket	Silicone rubber
Lid fixing screws	Stainless steel (captive)
Ingress protection	IP66
Ambient temperature range	-50°C to +55°C

Dimensions (in mm)



Terminals

Quantity & type	6 pcs WDU35 screw terminals, 3 separate and 3 bridged, 2 pcs WPE10 earth terminals for heating cable earth leads, 1 pc WPE35 earth terminal for power cable, Junction box can accommodate up to 6 fully loaded phase/neutral terminals (maximum 10 terminals in total)
Labelling	1, 2, 3, 4, 5, 6 + 3 x PE
Minimum conductor size	2.5 mm ² stranded & solid
Maximum conductor size	35 mm ² stranded & 16 mm ² solid
Maximum operating voltage	690 Vac
Maximum operating current	100 A

Accessories (to be ordered separately)

Glands for power cables	GL-51-M40 hazardous area approved gland for cables Ø 17-28 mm GL-45-M32 hazardous area approved gland for cables Ø 12-21 mm
Reducers	REDUCER-M40/32-EEXE hazardous area M40 male to M32 female reducer REDUCER-M32/25-EEXE hazardous area M32 male to M25 female reducer
Spare terminals	35 mm ² phase/neutral terminal HWA-WDM-PHASE-35 10 mm ² earth terminal HWA-WDM-EARTH-10 35 mm ² earth terminal HWA-WDM-EARTH-35 Endplate HWA-WDM-PLATE Terminal jumper (2) HWA-WDM-JUMPER-35-2 Terminal jumper (3) HWA-WDM-JUMPER-35-3
Gland for MI cold leads	In case of factory terminated units, already present. For on-site assemblies, contact Tyco Thermal Controls or refer to DOC-606

Ordering details

Order reference	JB-EX-32/35MM2
Part number (Weight)	1244-006655 (1.9 kg)

European Headquarters

Tyco Thermal Controls
Romeinsestraat 14
3001 Leuven
Belgium
Tel. (32) 16 213 511
Fax (32) 16 213 610
info@tycothermal.com

België / Belgique

Tyco Thermal Controls
Romeinsestraat 14
3001 Leuven
Tel. (016) 213 502
Fax (016) 213 604

Bulgaria

ERZET Engineering
Kompl. Bratja Miladinovi/bl57/vch.4A
BG-8000 Burgas
Tel./fax (56) 86 68 86
Mobile (88) 86 39 903
Fax (UK) +44 8701368787

Česká Republika

Raychem HTS s.r.o.
Novodvorská 82
14200 Praha 4
Tel. 241 009 215
Fax 241 009 219

Danmark

Tyco Thermal Controls Nordic AB
Flöjelbergsgatan 20B
SE-431 37 Mölndal
Tel. 70 11 04 00
Fax 70 11 04 01

Deutschland

Tyco Thermal Controls GmbH
Birlenbacher Strasse 19-21
57078 Siegen-Geisweid
Tel. 0800 1818205
Fax 0800 1818204

España

Tyco Thermal Controls N.V.
Ctra. De la Coruña, km. 23,500
Edificio ECU I
28290 Las Rozas, Madrid
Tel. (902) 125 307
Fax (91) 640 29 90

France

Tyco Thermal Controls SAS
B.P. 90738
95004 Cergy-Pontoise Cedex
Tél. 0800 906045
Fax 0800 906003

Hrvatska

ELGRI d.o.o.
S. Mihalica 2
10000 Zagreb
Tel. (1) 6050188
Fax (1) 6050187

Italia

Tyco Thermal Controls SPA
Centro Direzionale Milanofiori
Palazzo F1
20090 Assago, Milano
Tel. 02 5776151
Fax 02 577615528

Lietuva/Latvija/Eesti

Tyco Thermal Controls BV Atstovybe
Smolensko g. 6
LT-03201 Vilnius
Tel. +370 5 2136633
Fax +370 5 2330084

Magyarország

Szarka Ignác
Maroshévisz u. 8
1173 Budapest
Tel. (1) 253 76 17
Fax (1) 253 76 18

Nederland

Tyco Thermal Controls b.v.
Van Heuven Goedhartlaan 121
1181 KK Amstelveen
Tel. 0800 0224978
Fax 0800 0224993

Norge

Tyco Thermal Controls Norway AS
Postboks 146
1441 Drøbak
Tel. +47 66 81 79 90
Fax +47 66 80 83 92

Österreich

Tyco Thermal Controls
Division of Tyco Fire & Integrated
Solutions GmbH
Office Wien
Brown-Boveri Strasse 6/14
2351 Wiener Neudorf
Tel. (0 22 36) 86 00 77
Fax (0 22 36) 86 00 77-5

Polska

Tyco Thermal Controls Polska Sp. z o.o.
ul. Cybertyki 19
02-677 Warszawa
Tel. 0800 800 114
Fax 0800 800 115

Republic of Kazakhstan

Tyco Thermal Controls
4 Khakimov St.
Atyrau, 060002
Tel. +7 7122 32 56 51
Fax +7 7122 32 56 38

Romania

Tyco Thermal Controls Romania
53 Primaverii Bvd.
011973 Bucuresti
Tel. 21 317 92 87
Fax 21 317 92 87

РОССИЯ и другие страны СНГ

ООО « Тайко Термал Контролс »
141407, Московская обл., г. Химки
ул. Панфилова, 19, 11 этаж,
Деловой Центр Кантри Парк
Тел. +7 (495) 540 18 84
Факс +7 (495) 540 18 86

Serbia and Montenegro

Keying d.o.o.
Vuka Karadžića 79
23300 Kikinda
Tel. (230) 401 770
Fax (230) 401 790

Schweiz / Suisse

Tyco Thermal Controls N.V.
Office Baar
Haldenstrasse 5
Postfach 2724
6342 Baar
Tel. (041) 766 30 80
Fax (041) 766 30 81

Suomi

Tyco Thermal Controls Nordic AB
Flöjelbergsgatan 20B
SE-431 37 Mölndal
Puh. 0800 11 67 99
Telekopio 0800 11 86 74

Sverige

Tyco Thermal Controls Nordic AB
Kanalvägen 3 A
SE-194 61 Upplands Väsby
Tel. 08-590 094 60
Fax 08-590 925 70

Türkiye

SAMM Dış Ticaret A.Ş.
Yeniyol Sk. Etap İş Merkezi C
Blok No : 10 Kat : 6
34722 Acıbadem - Kadıköy
İSTANBUL
Tel : +0216-325 61 62 (Pbx)
Faks : +0216-325 22 24

United Kingdom

Tyco Thermal Controls (UK) Ltd
3 Rutherford Road,
Stephenson Industrial Estate
Washington, Tyne & Wear
NE37 3HX
Tel. 0800 969013
Fax: 0800 968624


Worldwide Headquarters

Tyco Thermal Controls
2415 Bay Road
Redwood City, CA 94063-3032
USA
Tel. (1)(650) 216-1526
Fax (1)(650) 474-7711
info@tycothermal.com

www.tycothermal.com

Raychem, Pyrotenax, Tracer and Isopad are trademarks of Tyco Thermal Controls, LLC or its affiliates. HEW-THERM is a trademark of HEW-KABEL/CDT GmbH & Co.KG.

Important: All information, including illustrations, is believed to be reliable. Users, however, should independently evaluate the suitability of each product for their particular application. Tyco Thermal Controls makes no warranties as to the accuracy or completeness of the information, and disclaims any liability regarding its use. Tyco Thermal Controls' only obligations are those in the Tyco Thermal Controls Standard Terms and Conditions of Sale for this product, and in no case will Tyco Thermal Controls or its distributors be liable for any incidental, indirect or consequential damages arising from the sale, resale, use or misuse of the product. Specifications are subject to change without notice. In addition, Tyco Thermal Controls reserves the right to make changes, without notification to the Buyer, to processing or materials that do not affect compliance with any applicable specification.

 Our products satisfy the requirements of the relevant European Directives.

tyco
Thermal Controls