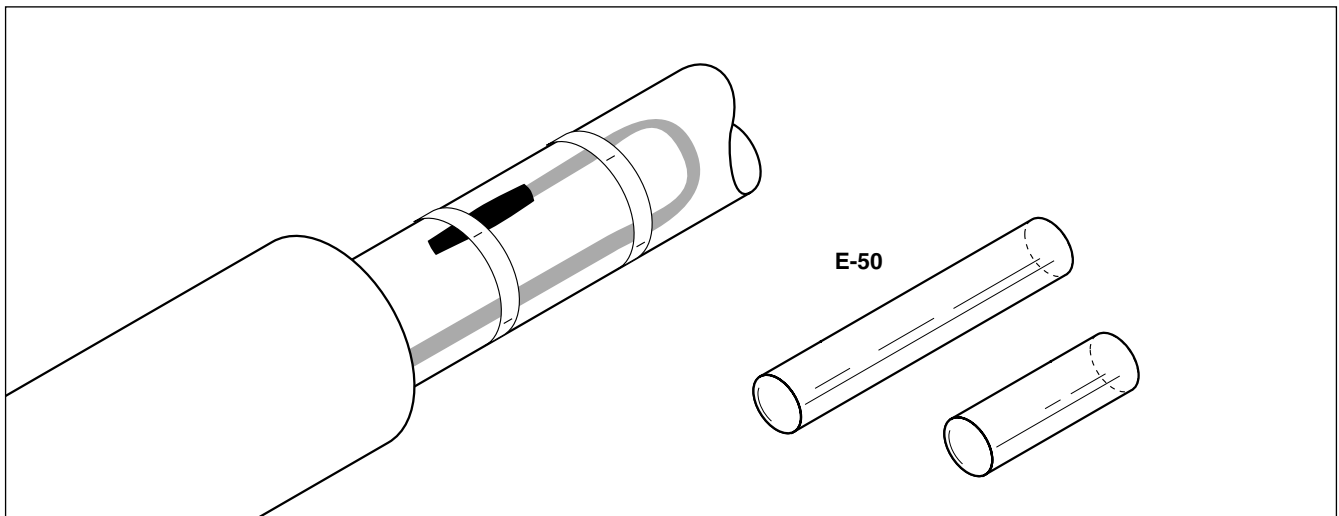


Ex End seal kit for VPL - heat-shrink

This end seal kit is designed for the termination of Raychem's VPL industrial heating cables. The kit is approved for use in hazardous areas.

The end seal kit employs easy to use heat-shrinkable tubing, that when heated forms a semi-flexible moisture proof encapsulation.

Due to its low profile design the finished termination can be installed directly on the pipe. One end seal kit is required for each termination.



Application	End seal for VPL Power limiting heating cables
Kit contents	Heat-shrinkable tubing Installation instruction
Approvals	BAS00ATEX2163X Ex II 2 GD Ex es II T* by Baseefa 2001 Ltd. according to EN 50 014, EN 50 019 * by design
Product specifications	
Max. exposure temperature	250°C
Dielectric strength	> 40 MV/m
Volume resistivity	10 ¹⁸ Ω cm
Final dimensions	length approx. 120 mm
Installation details	
Heat shrinkable tubing	327°C
Gas torch or equivalent	min. 3000 W hot air gun
Ordering information	
Part description	E-50
PN (Weight)	1244-002492 (60 g)

www.tycothermal.com

Raychem is a trademark of Tyco Thermal Controls

Important: All information, including illustrations, is believed to be reliable. Users, however, should independently evaluate the suitability of each product for their particular application. Tyco Thermal Controls makes no warranties as to the accuracy or completeness of the information, and disclaims any liability regarding its use. Tyco Thermal Controls' only obligations are those in the Tyco Thermal Controls Standard Terms and Conditions of Sale for this product, and in no case will Tyco Thermal Controls or its distributors be liable for any incidental, indirect or consequential damages arising from the sale, resale, use or misuse of the product. Specifications are subject to change without notice. In addition, Tyco Thermal Controls reserves the right to make changes, without notification to the Buyer, to processing or materials that do not affect compliance with any applicable specification.

tyco

Thermal Controls

België / Belgique
Tyco Thermal Controls
Staatsbaan 4A
3210 Lubbeek
Tel. (016) 213 511
Fax (016) 213 610

United Kingdom
Tyco Thermal Controls (UK) Ltd
3 Rutherford Road
Stephenson Industrial Estate
Washington, Tyne & Wear
NE37 3HX
Tel. 0800 969013
Fax: 0800 968624