



We Manage Heat™

BENEFITS

- Heating comfort
- Energy efficiency

FEATURES

- Precision automatic control
- Simple operation
- Pleasing appearance
- Compact
- Unusually simple installation
- Low installed cost

DESCRIPTION

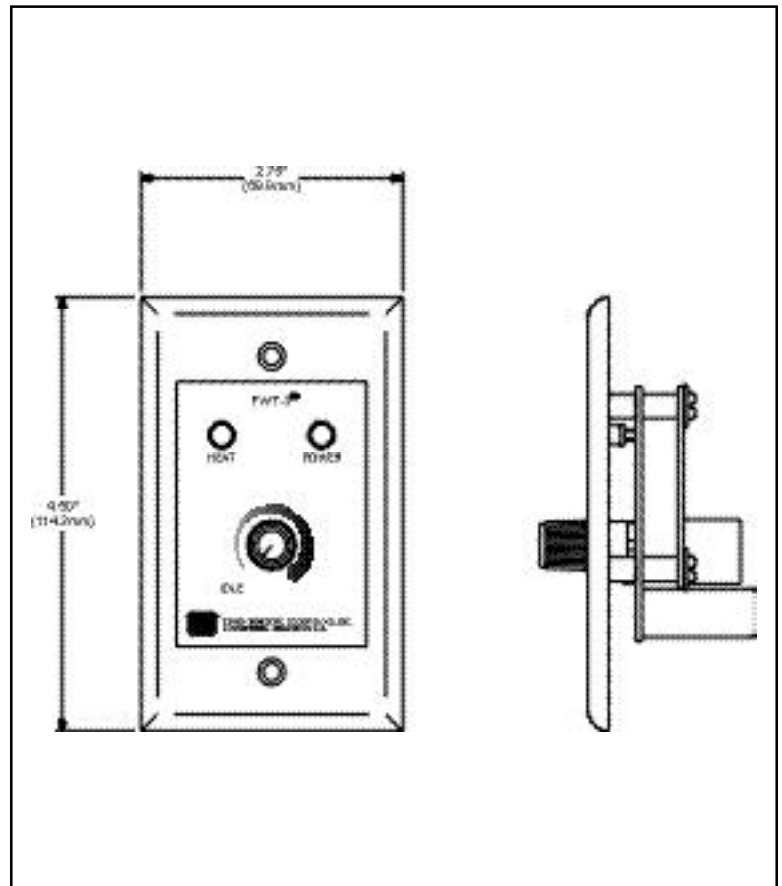
The patent pending computerized FWT-3 assures comfort with minimum energy cost by automatically controlling electric radiant floor heaters. The Digital Anticipation feature provides superior temperature regulation when compared to conventional thermostats. The FWT-3 continuously learns how best to control heating to maximize comfort by minimizing temperature variations.

The FWT-3 provides a simple analog adjustment for setting the floor temperature with a range of 50° to 95° F (10° to 35° C). Setting the adjustment fully counterclockwise inhibits heating which prevents energy waste by heating unoccupied areas. Status indicators show that power is present and the heaters are operating.

The low voltage NEC Class 2 FWT-3 derives its power from the external UL/CSA self-powered relay. The relay is mounted in a switch box installed at a convenient location. Only two wires connect the FWT-3 with the self-powered relay.

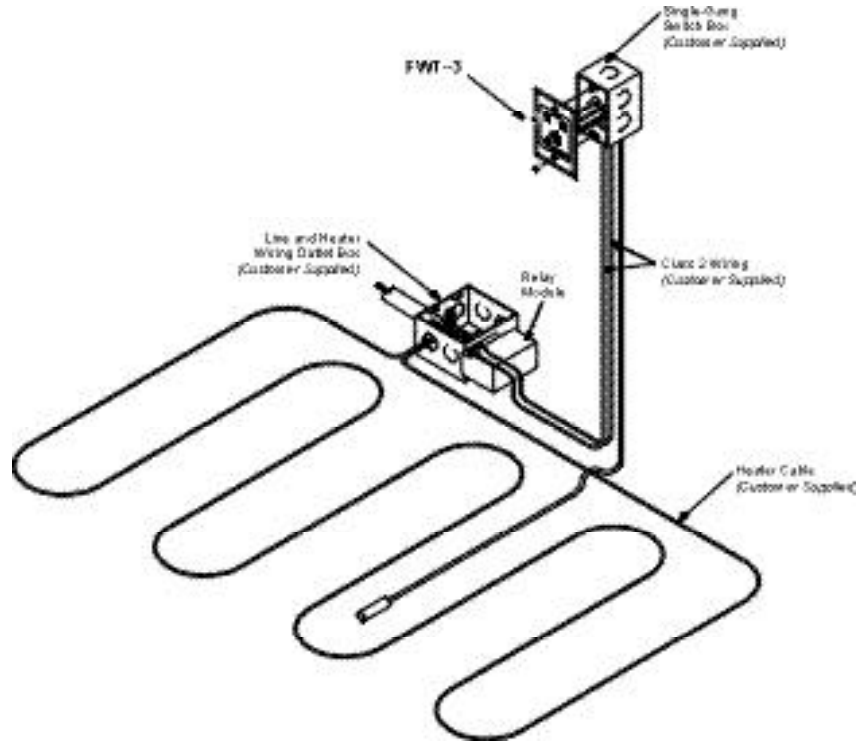
The temperature sensor is embedded in the floor substrate along with the heaters. This provides quick response and precise control. The 25' sensor cable plugs into the FWT-3 thus simplifying installation. Universally available telephone accessories can be used to extend the sensor cable length. A missing or shorted sensor inhibits heater operation.

Voltage options include 120, 208, 240 and 277 VAC. The relay controls heater loads up to 25 amps except at 277 VAC where the maximum load is reduced to 22 amps.



INSTALLATION

Install in accordance with the requirements of all applicable electrical and building codes and regulations.



ORDERING INFORMATION

Order Number

Description

18541	FWT-3 Radiant Floor Heating Control* 120 VAC
18542	FWT-3 Radiant Floor Heating Control* 208 VAC
18543	FWT-3 Radiant Floor Heating Control* 240 VAC
18544	FWT-3 Radiant Floor Heating Control* 277 VAC**

* Includes temperature sensor with 25' (7.62 meters) and self-powered contactor

** 22 amp heater load rating

LIMITED WARRANTY

ETI's two year limited warranty covering defects in workmanship and materials applies. Contact Customer Service for complete warranty information.

DISCLAIMER

Environmental Technology, Inc. makes no representations or warranties, either expressed or implied, with respect to the contents of this publication or the products that it describes, and specifically disclaims any implied warranties of merchantability or fitness for any particular purpose. Environmental Technology, Inc. reserves the right to revise this publication, and to make changes and improvements to the products described in this publication, without the obligation of Environmental Technology, Inc. to notify any person or organization of such revisions, changes or improvements.

 **ENVIRONMENTAL TECHNOLOGY, INC.**