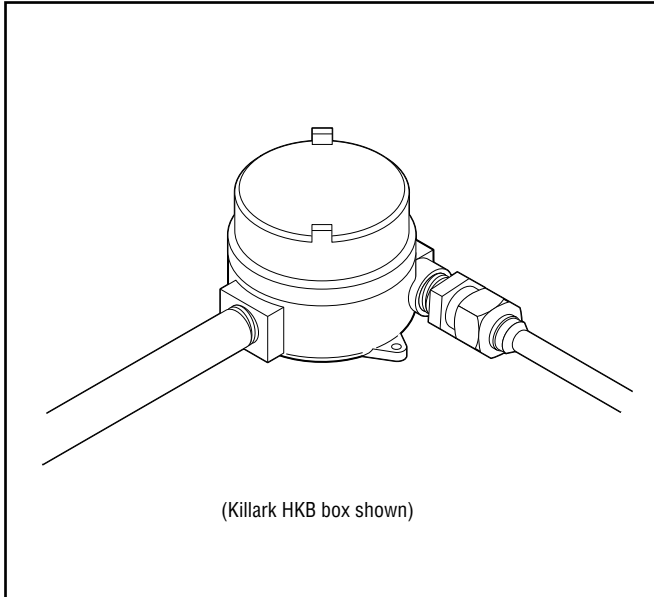


Installation Instructions



Description

The RMI-JB3 Connection Kit is designed for use with Raychem RMI heating cables.

Materials to connect one or two heating cables to power are included in this kit.

Refer to the *RMI Installation and Maintenance Guide* (H55047) for additional information. For technical support call Raychem HTS at (800) 545-6258.

Tools Required

- Wire cutters
- Adjustable wrench
- 5/16" Allen wrench (for Killark HKB enclosure plugs)
- 1/2" drive ratchet (for Adalet XIHL enclosure plugs)
- Needle nose pliers
- 3/16" slotted screwdriver

General Installation Guidelines

All junction boxes and thermostats must be mounted off the pipe, typically on a beam or a stanchion, to prevent overheating.

All junction boxes, thermostats and transformers must be located above grade level.

Conduit leading to junction boxes, thermostats and transformers must be installed so that water does not enter the enclosure.

To prevent water ingress, use an agency approved Class I, Div. 1 sealing fitting with a drain valve. Angle the heating cable cold lead downward where it exits the insulation.

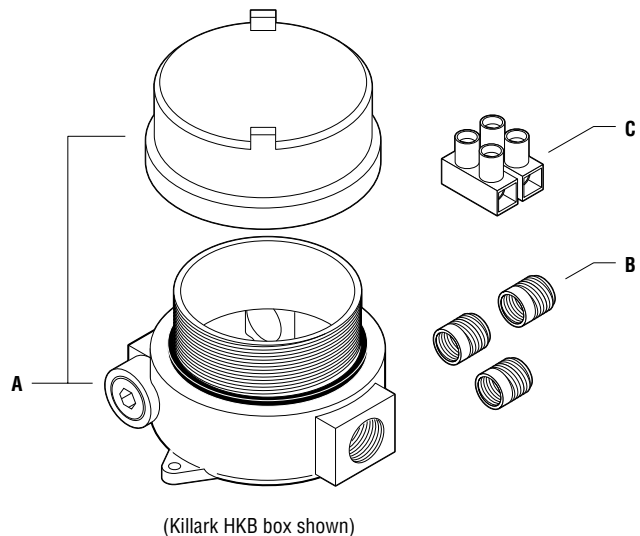
Hazardous Locations



Class I, Div. 1 & 2, Groups B, C, D
Class II, Div. 1 & 2, Groups E, F, G
Class III

Kit Contents

Item	Qty	Description
A	1	Junction Box with Lid (Killark HKB or Adalet XIHL)
B	3	3/4 x 1/2" NPT reducers
C	1	Terminal Block (max: one 6 AWG wire or two 12 AWG wires)



WARNING:

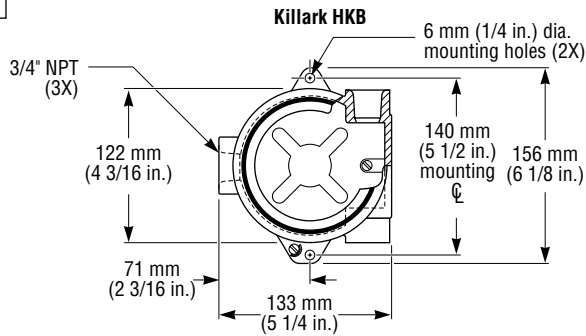
This component is an electrical device that must be installed correctly to ensure proper operation and to prevent shock or fire. Read these important warnings and carefully follow all of the installation instructions.

- To minimize the danger of fire from sustained electrical arcing if the heating cable is damaged or improperly installed, and to comply with the requirements of Raychem HTS, agency certifications, and national electrical codes, ground-fault equipment protection must be used. Arcing may not be stopped by conventional circuit breakers.

- Component approvals and performance are based on the use of Raychem HTS-specified parts only. Do not use substitute parts or vinyl electrical tape.

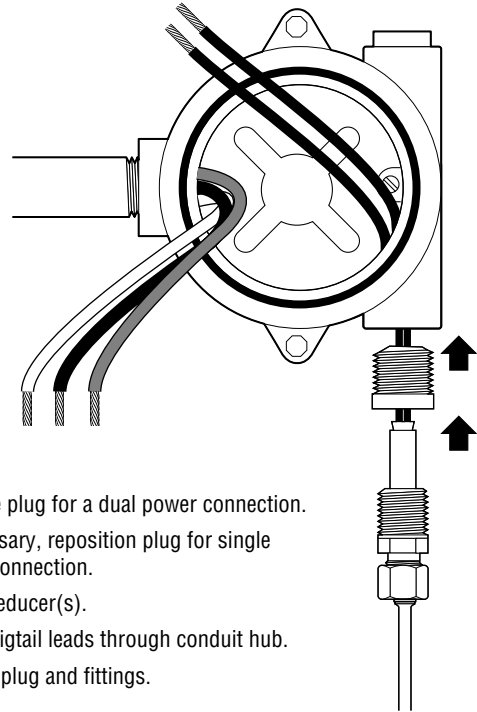
RMI-JB3 Connection Kit Installation Instructions

1



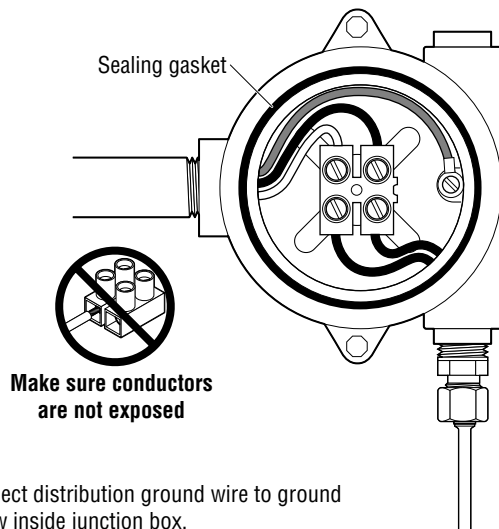
- Plan the location of the junction box so that the heating cable cold lead can be coiled before entering the box.
- Mount the box firmly to a beam or stanchion.

2



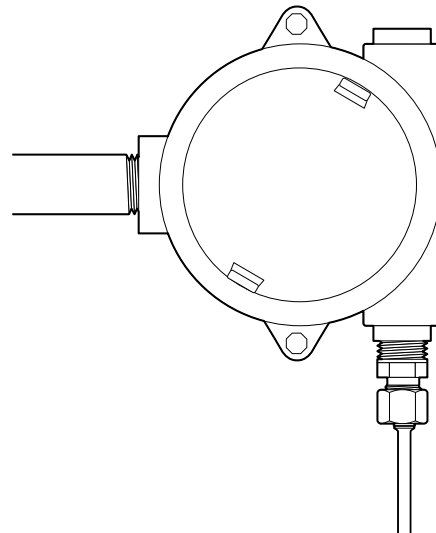
- Remove plug for a dual power connection.
- If necessary, reposition plug for single power connection.
- Install reducer(s).
- Install pigtail leads through conduit hub.
- Tighten plug and fittings.

3



- Connect distribution ground wire to ground screw inside junction box.
- Connect distribution power wires (6 AWG max) to one side of the terminal block.
- Connect heating cables to the other side of the terminal block.

4



- Stow the terminal block and wiring in the junction box.
- Install the box lid.

Worldwide Headquarters

Raychem HTS

300 Constitution Drive
Menlo Park, CA 94025-1164
USA
Tel (800) 545-6258
Fax (650) 474-7517
Fax-on-Demand (800) 329-4494
info@raychemhts.com
www.raychemhts.com

Canada

Raychem HTS

1960 Blue Heron Drive
London, Ontario
Canada N6H 5L9
Tel (800) 545-6258
Fax (650) 474-7517

Argentina

Raychem HTS

Riobamba 1234 7-C
C1116ABJ Buenos Aires
Argentina
Tel (54 11) 4 811 5000
Fax (54 11) 4 814 5020