

SES-TT-1 or -2

SES-RTD or CONT Circuit Board Replacement Kit

SES-TT-1 for 120 V

SES-TT-2 for 208-277 V

Installation Instructions

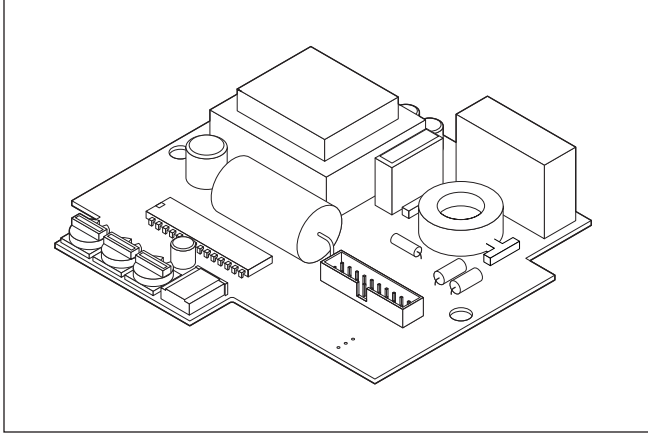
Description

The DigiTrace® SES-RTD or CONT Circuit Board Replacement Kit can be used to replace the circuit board of the SES-RTD-1, SES-RTD-2, SES-CONT-1, or SES-CONT-2 kits.

This kit may be installed at temperatures as low as -40°F (-40°C). For easier installation store above freezing until just before installation. For technical support call Tyco Thermal Controls at (800) 545-6258.

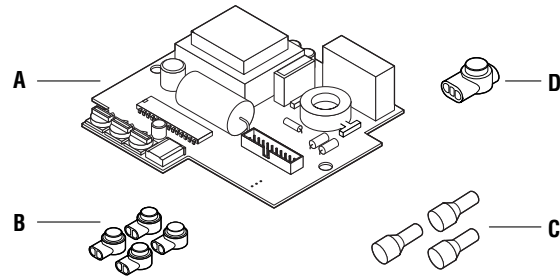
Tools Required

- Wire cutters
- Large slotted screwdriver
- Wire stripper (for VPL-CT)
- Amp 54316-1 crimp tool or equivalent



Kit Contents

Item	Qty	Description
A	1	Circuit board
B	4	Splices (one spare)
C	3	Crimps (one spare)
D	1	3 port splice



WARNING:

This component is an electrical device that must be installed correctly to ensure proper operation and to prevent shock or fire. Read these important warnings and carefully follow all of the installation instructions.

- To minimize the danger of fire from sustained electrical arcing if the heating cable is damaged or improperly installed, and to comply with the requirements of Tyco Thermal Controls, agency certifications, and the National Electrical Code, ground-fault equipment protection must be used. Arcing may not be stopped by conventional circuit breakers.

- Component approvals and performance are based on the use of Tyco Thermal Controls-specified parts only. Do not use substitute parts or vinyl electrical tape.
- The black heating cable core and fibers are conductive and can short. They must be properly insulated and kept dry.
- Damaged bus wires can overheat or short. Do not break bus wire strands when scoring the jacket or core.
- Keep components and heating cable ends dry before and during installation.
- Use only fire resistant insulation materials, such as fiberglass wrap or flame-retardant foam.

CAUTION:

Health Hazard: Prolonged or repeated contact with the sealant in the core sealer may cause skin irritation. Wash hands thoroughly. Overheating or burning the sealant will produce fumes that may cause polymer fume fever. Avoid contamination of cigarettes or tobacco. Consult MSDS RAY5510 for further information.

CHEMTREC 24-hour emergency telephone:
(800) 424-9300.

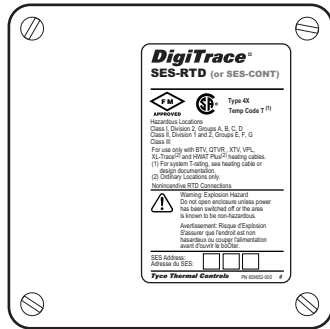
Non-emergency health and safety information:
(800) 545-6258.

SES-TT-1 OR -2 Installation Instructions

1

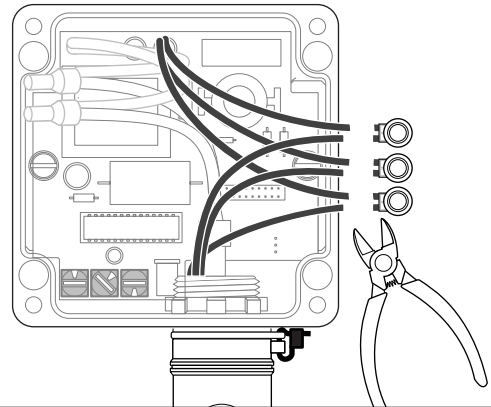
⚠ WARNING: Shock Hazard. Confirm that power to the circuit has been shut off before proceeding to next step.

- Unscrew the 4 screws that fasten the enclosure lid.
- Do not discard lid.



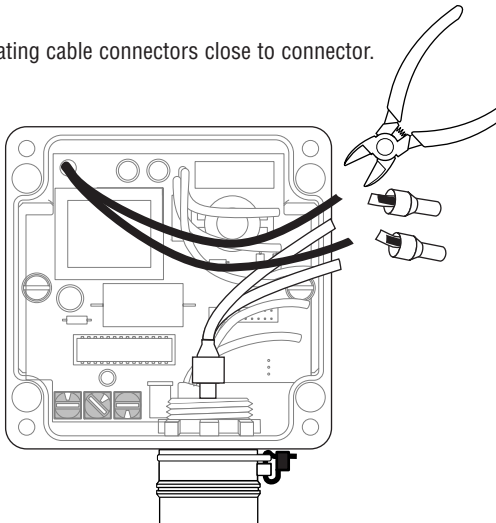
2

- Cut off RTD lead connectors close to connector.



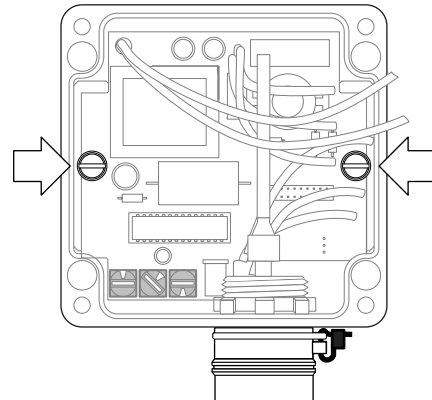
3

- Cut off heating cable connectors close to connector.



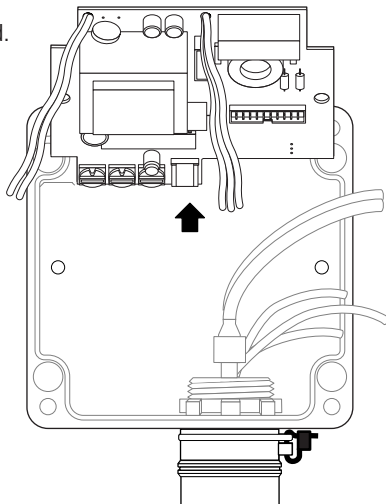
4

- Remove screws that fasten circuit board to enclosure.
- Do not discard screws.



5

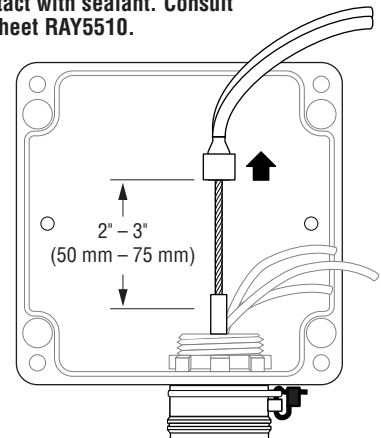
- Remove circuit board.



6

⚠ CAUTION: Health Hazard. Wash hands after contact with sealant. Consult material safety data sheet RAY5510.

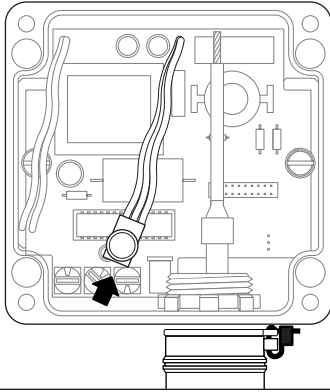
- Slide core sealer up, but not completely off of conductors.



SES-TT-1 OR -2 Installation Instructions

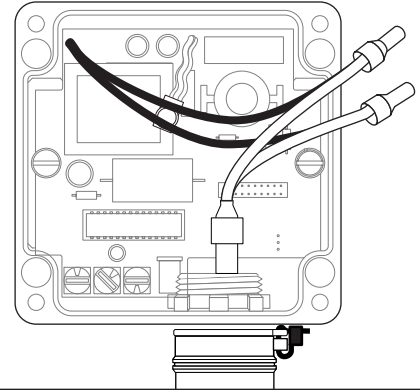
11B for SES-CONT

- Attach the red splice connector to the pigtails on board.
- Do not strip back insulation on pigtails.



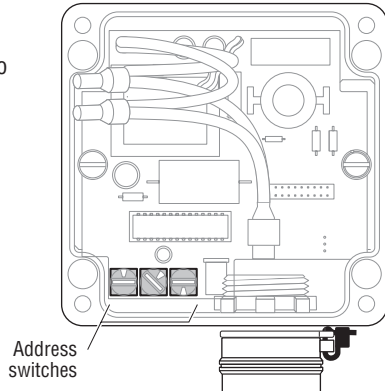
12B for SES-CONT

- Twist power leads and bus wires together before crimping.
- The electronics board is equipped with a red splice connector. Do not remove it.



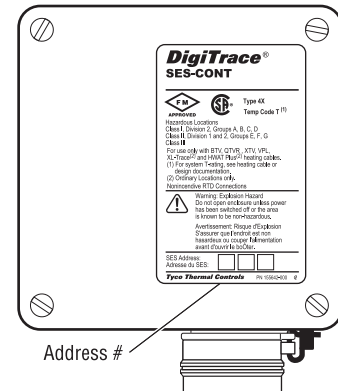
13B for SES-CONT

- Splice RTD leads to pigtails on board. Match colors (red to red and white to white).
- Do not strip back insulation on lead wires.
- Set address switch to the value printed on the enclosure cover label.



14B for SES-CONT

- Push wires into enclosure, install lid and tighten screws.



Tyco and DigiTrace are trademarks of Tyco Thermal Controls LLC or its affiliates.

Worldwide Headquarters
Tyco Thermal Controls
 300 Constitution Drive
 Menlo Park, CA 94025-1164
 USA
 Tel (800) 545-6258
 Fax (800) 527-5703
 Fax-on-Demand (800) 329-4494
 info@tycothermal.com
 www.tycothermal.com

Important: All information, including illustrations, is believed to be reliable. Users, however, should independently evaluate the suitability of each product for their particular application. Tyco Thermal Controls makes no warranties as to the accuracy or completeness of the information, and disclaims any liability regarding its use. Tyco Thermal Controls' only obligations are those in the Tyco Thermal Controls Standard Terms and Conditions of Sale for this product, and in no case will Tyco Thermal Controls or its distributors be liable for any incidental, indirect, or consequential damages arising from the sale, resale, use, or misuse of the product. Specifications are subject to change without notice. In addition, Tyco Thermal Controls reserves the right to make changes—without notification to Buyer—to processing or materials that do not affect compliance with any applicable specification.